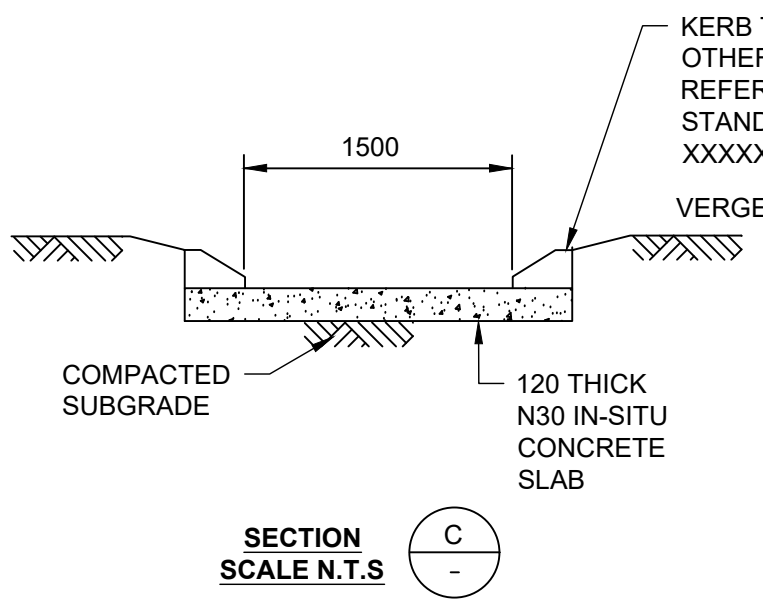
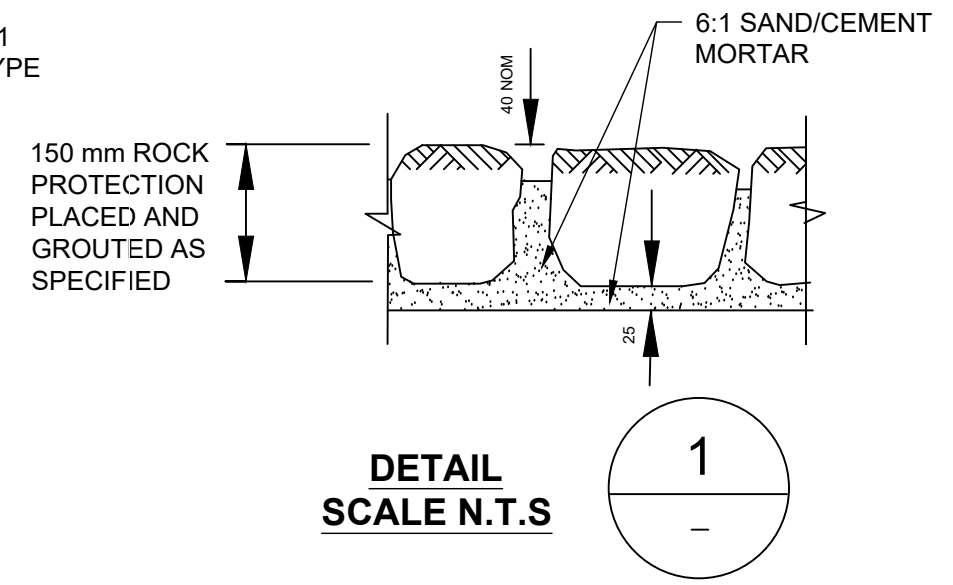


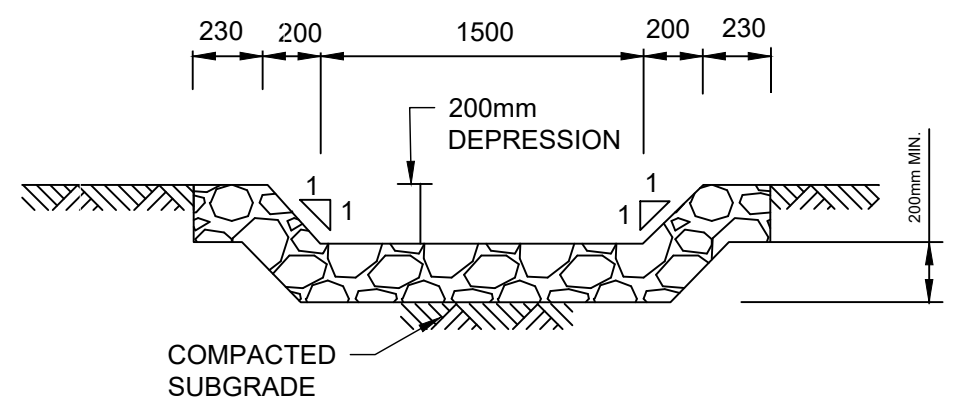
KERB OPENING BATTER DRAIN
N.T.S



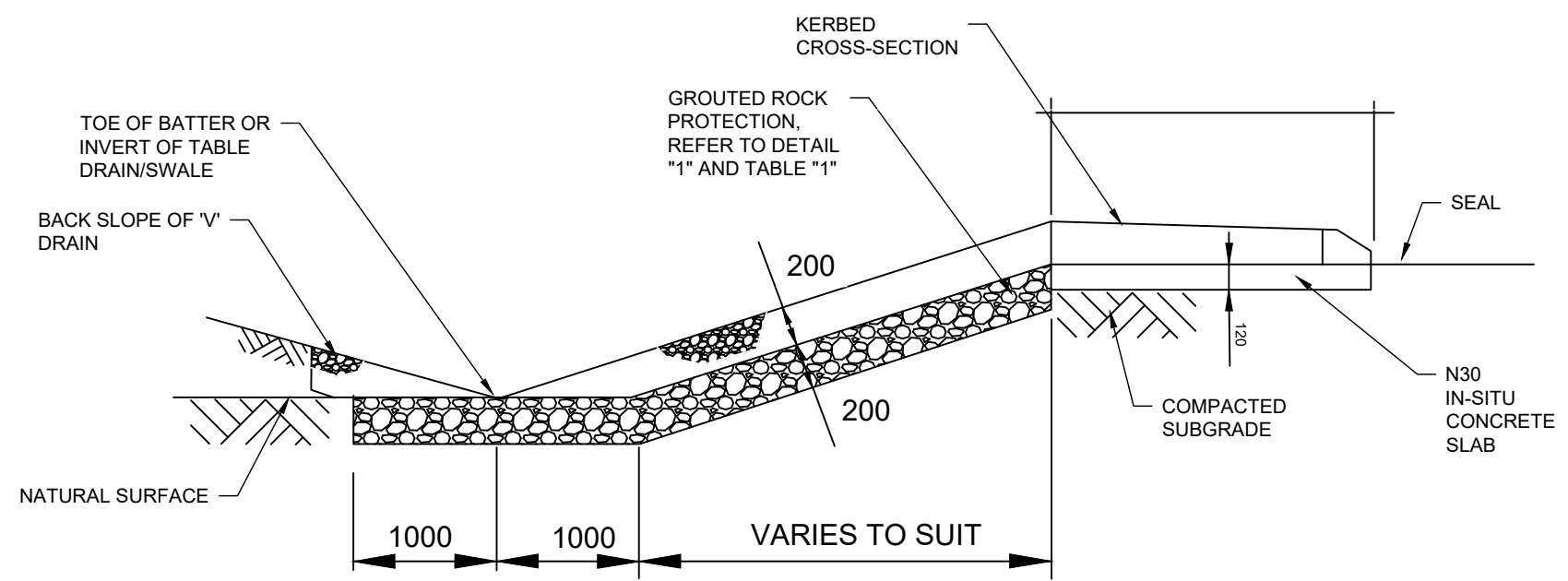
SECTION
SCALE N.T.S



DETAIL
SCALE N.T.S



ALTERNATIVE SECTION
SCALE N.T.S



ELEVATION SECTION
SCALE N.T.S


Town of Port Hedland
 PO Box 41 Port Hedland WA 6721 WA Australia
 T 61 8 9158 9300 F 61 8 9158 9399
 E council@porthedland.wa.gov.au
 W www.porthedland.gwa.gov.au

DETAIL DESIGN FOR STORMWATER DISPOSAL VIA OPEN CHANNEL
 SCALE: N.T.S DRAWN: SARIK SALIM DESIGN: ROHINI DIAS
DRAWING NO: TOPH-2.0 **Rev: 0**