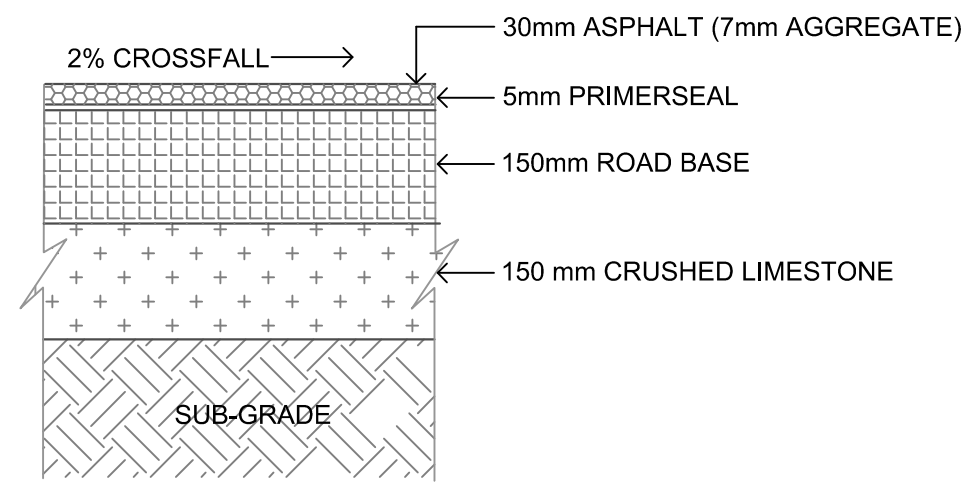
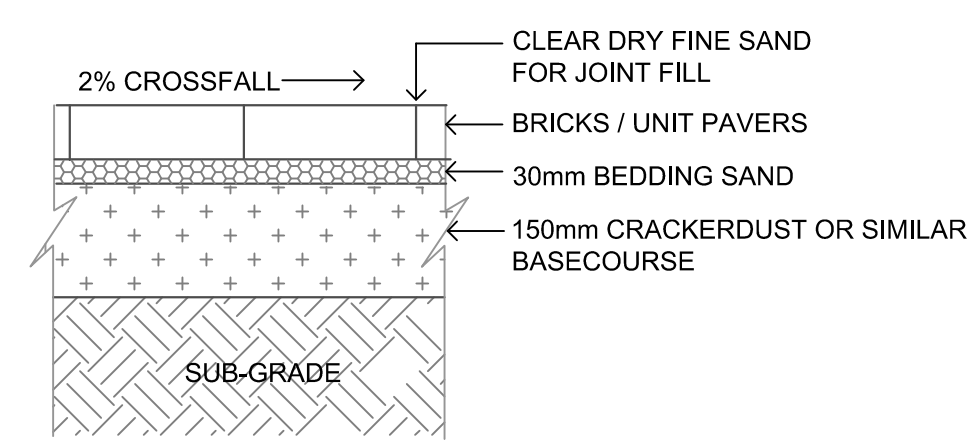


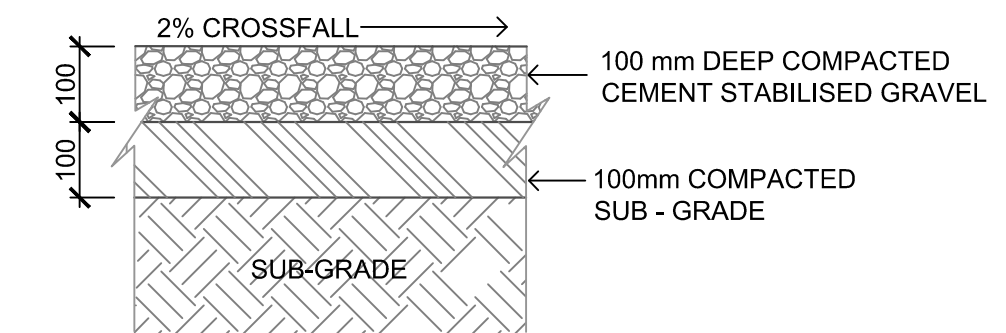
01 CONCRETE HARDSTAND/DUAL USE PATHWAY SECTION Scale 1:10



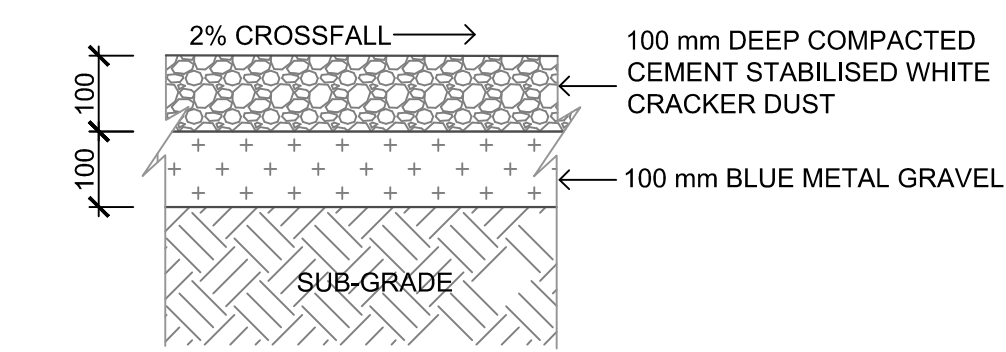
02 ASPHALT SECTION Scale 1:10



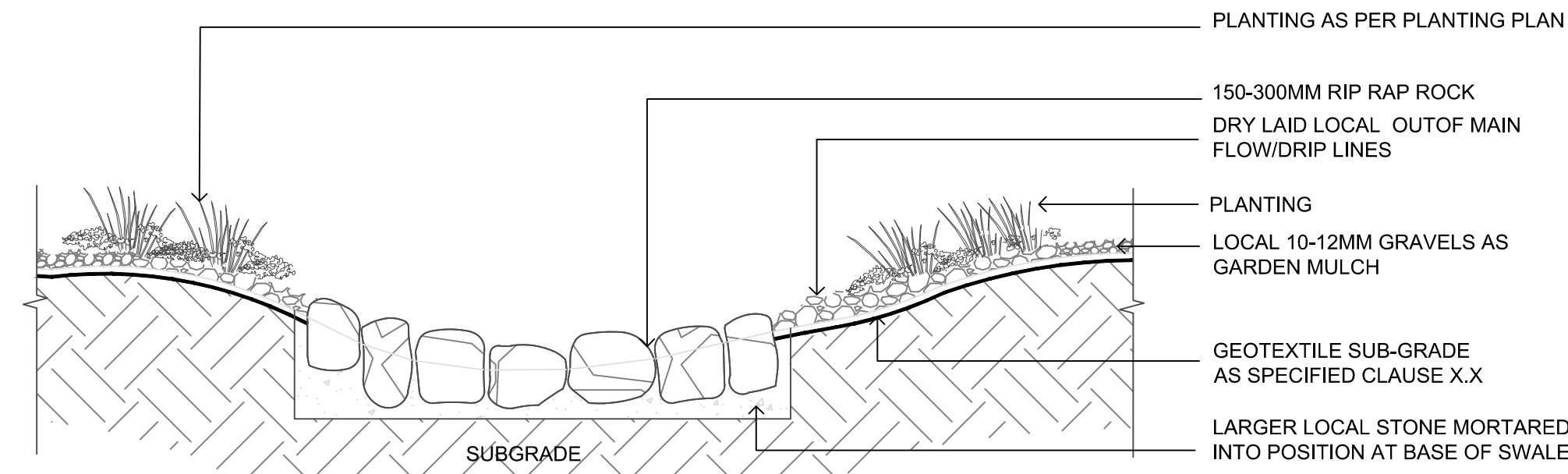
03 BRICK / UNIT PAVING SECTION Scale 1:10



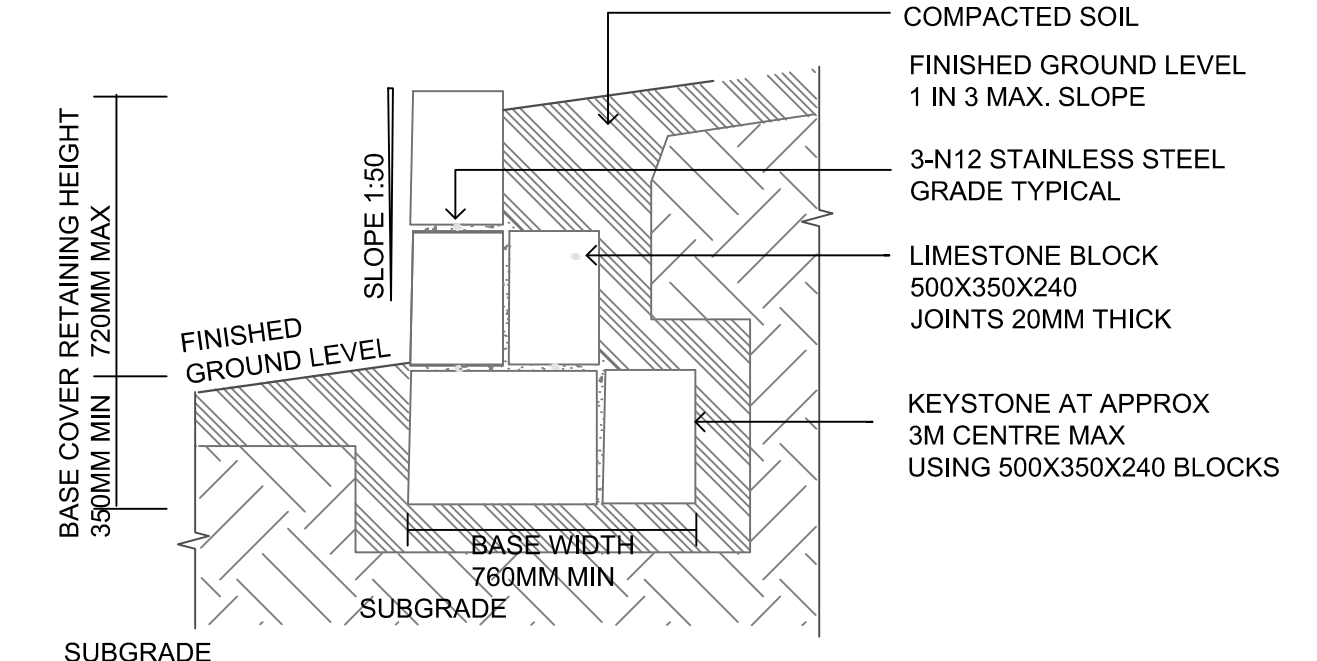
04 COMPACTED CEMENT STABILISED GRAVEL SECTION Scale 1:10



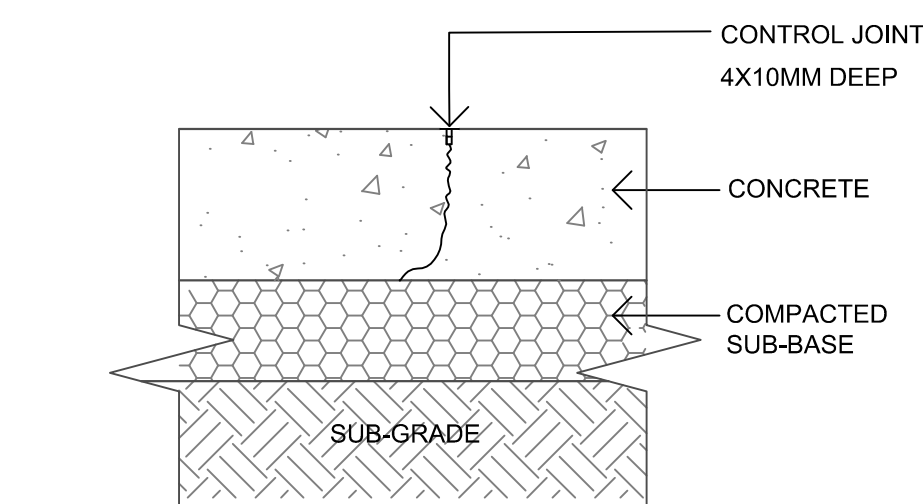
05 COMPACTED CEMENT STABILISED CRACKER DUST SECTION Scale 1:10



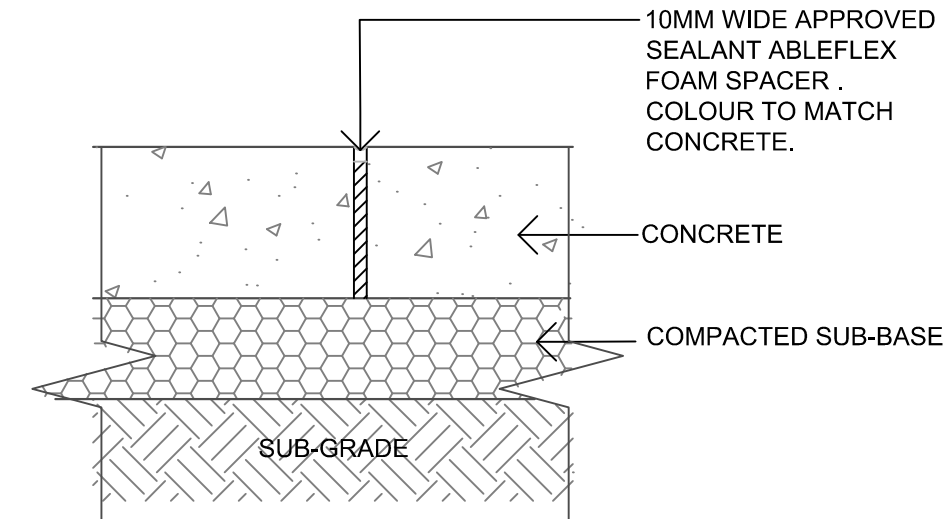
06 TYPICAL PLANTED DRAINAGE SWALE Section Scale 1:20



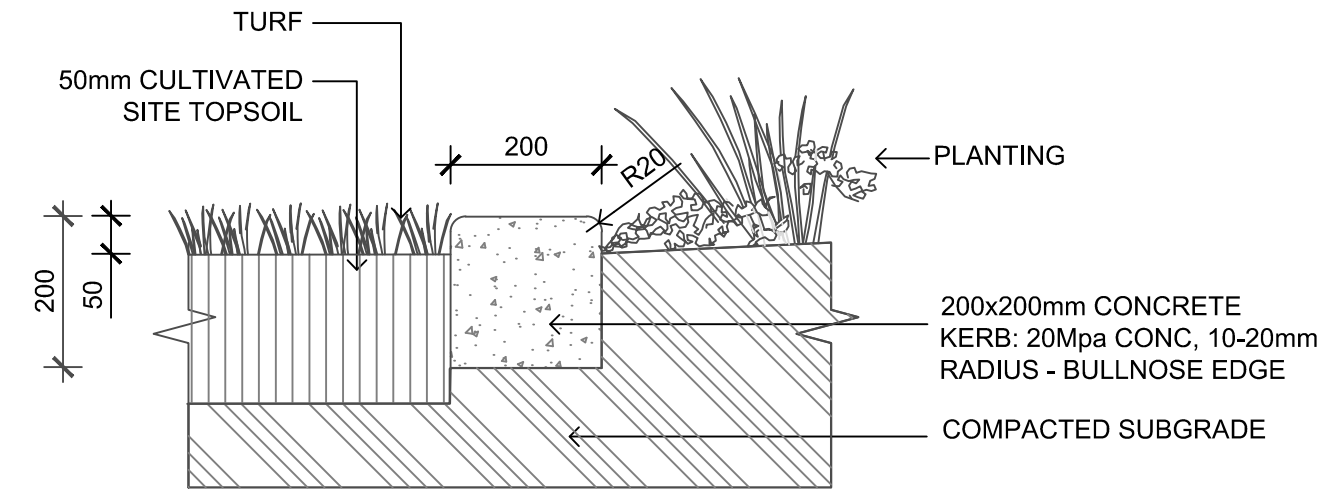
07 TYPICAL RETAINING WALL Section Scale 1:20



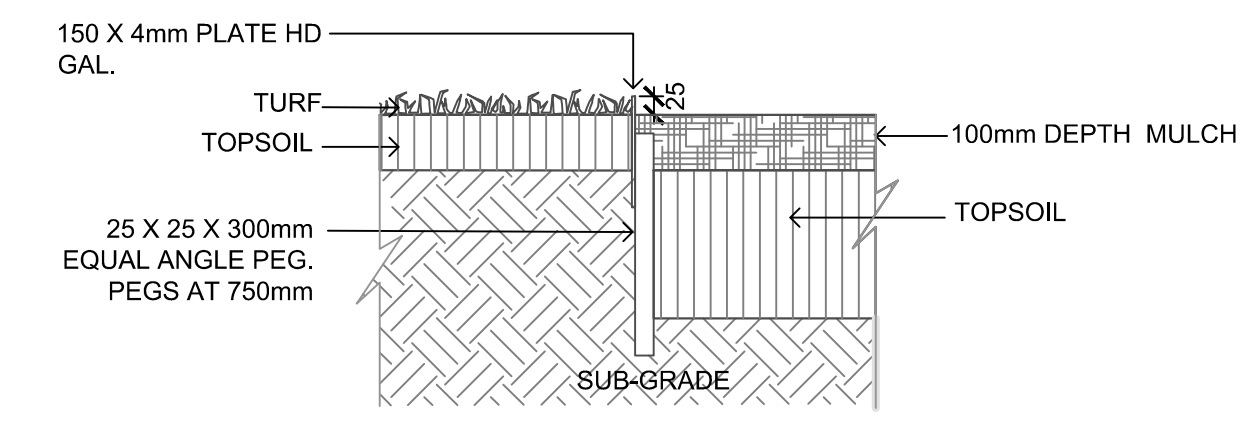
08 TYPICAL CONTROL JOINT Section Scale 1:5



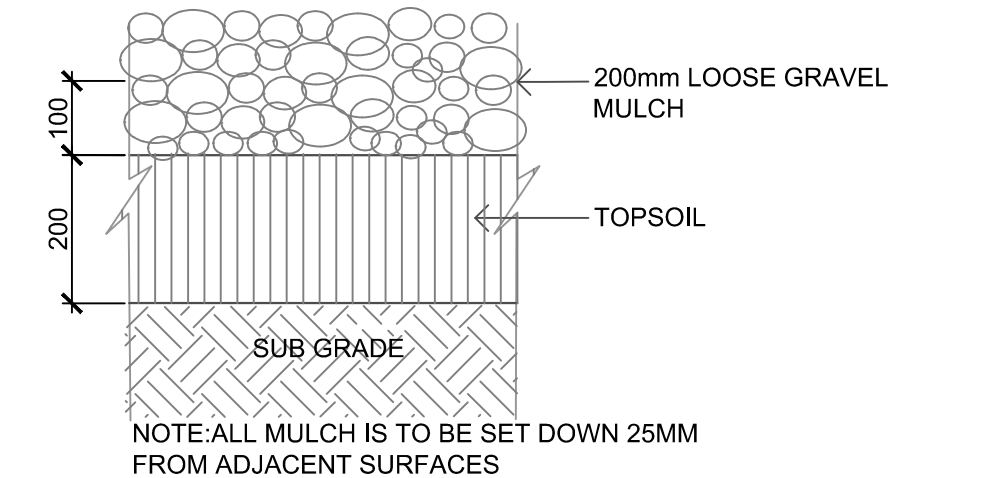
09 TYPICAL EXPANSION JOINT Section Scale 1:5



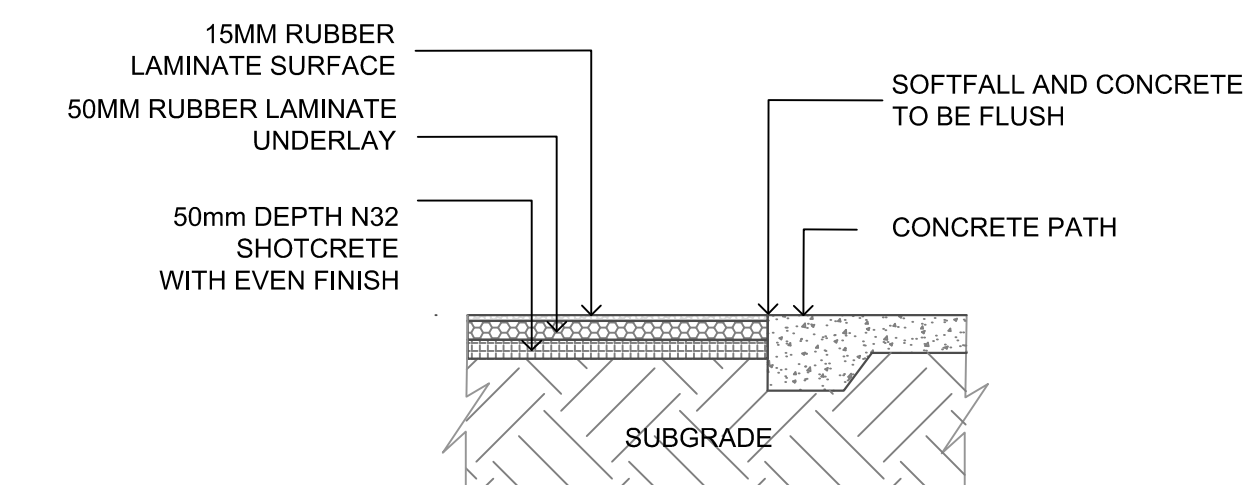
10 TYPICAL CONCRETE EDGING Detail Scale 1:10



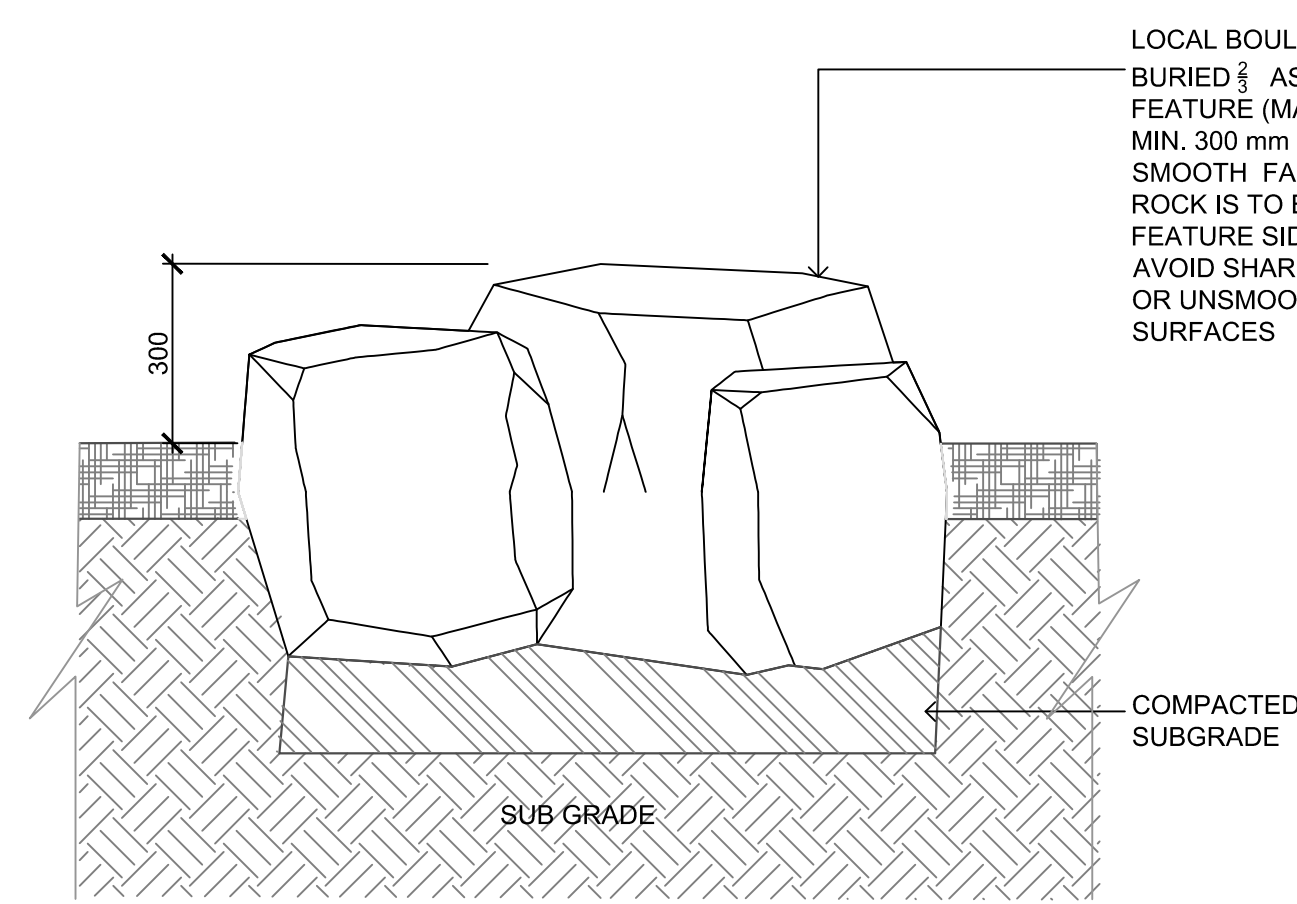
11 TYPICAL STEEL EDGING SECTION Scale 1:10



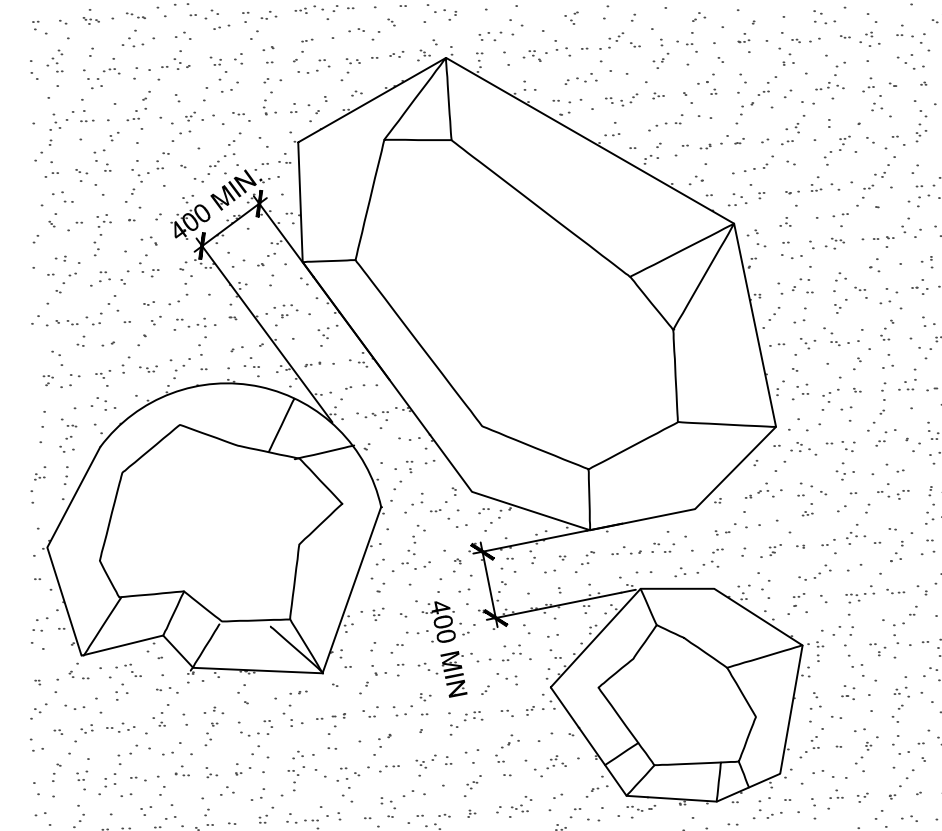
12 LOOSE GRAVEL MULCH SECTION Scale 1:10



13 TYPICAL SOFTFALL Section Scale 1:20



14 TYPICAL BOULDER SEATING Section Scale 1:10



15 TYPICAL BOULDER SEATING Section Scale 1:10

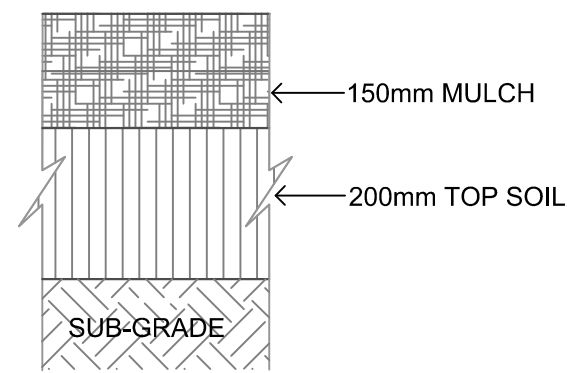
16 SHELTER PLANS SECTIONS AND ELEVATIONS

SEE FOLLOWING PAGES

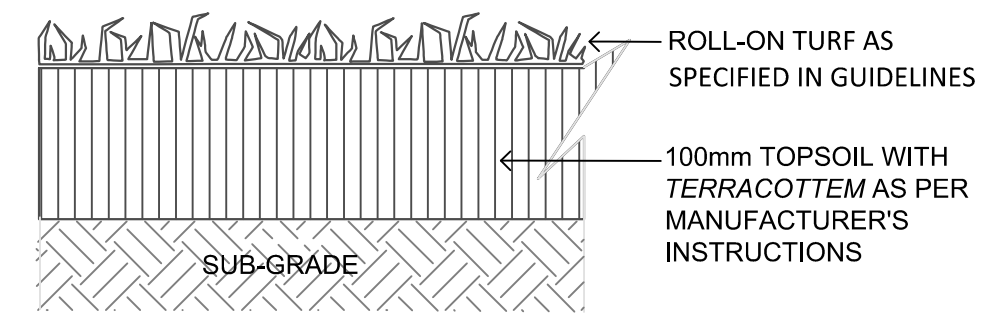
PORT HEDLAND LANDSCAPE GUIDELINES

HARDSCAPE ELEMENTS STANDARD DRAWING DETAILS

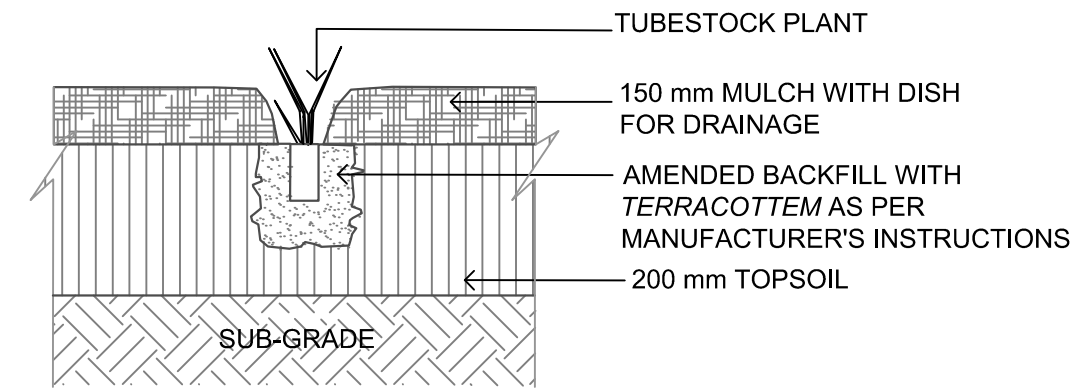
Drawings	Revision	
STD01 - STD15	REV B	
Date	Sheet	Scale
6th Feb 2018	1 of 2	varies @ A1



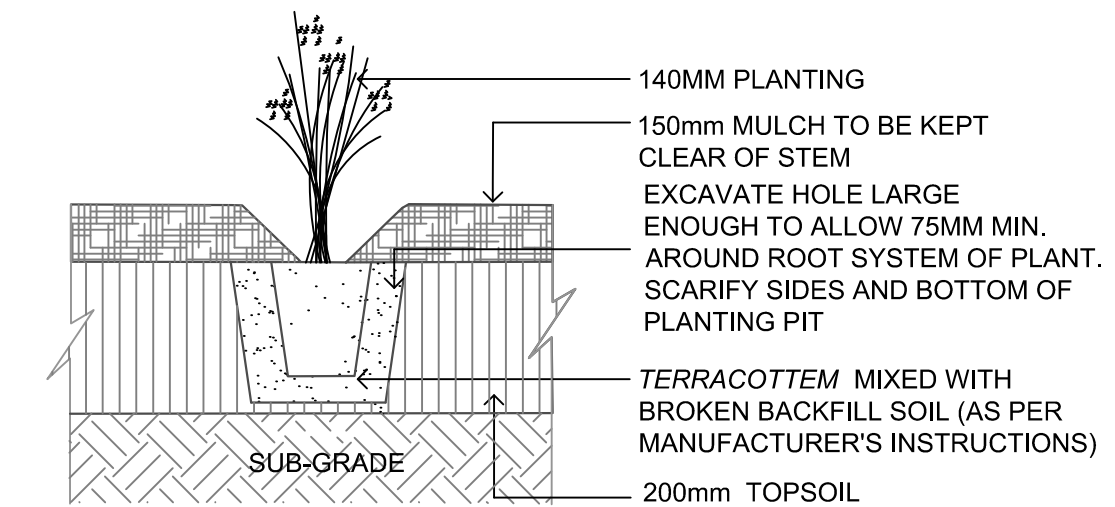
17 MULCH AREAS
Section Scale 1:10



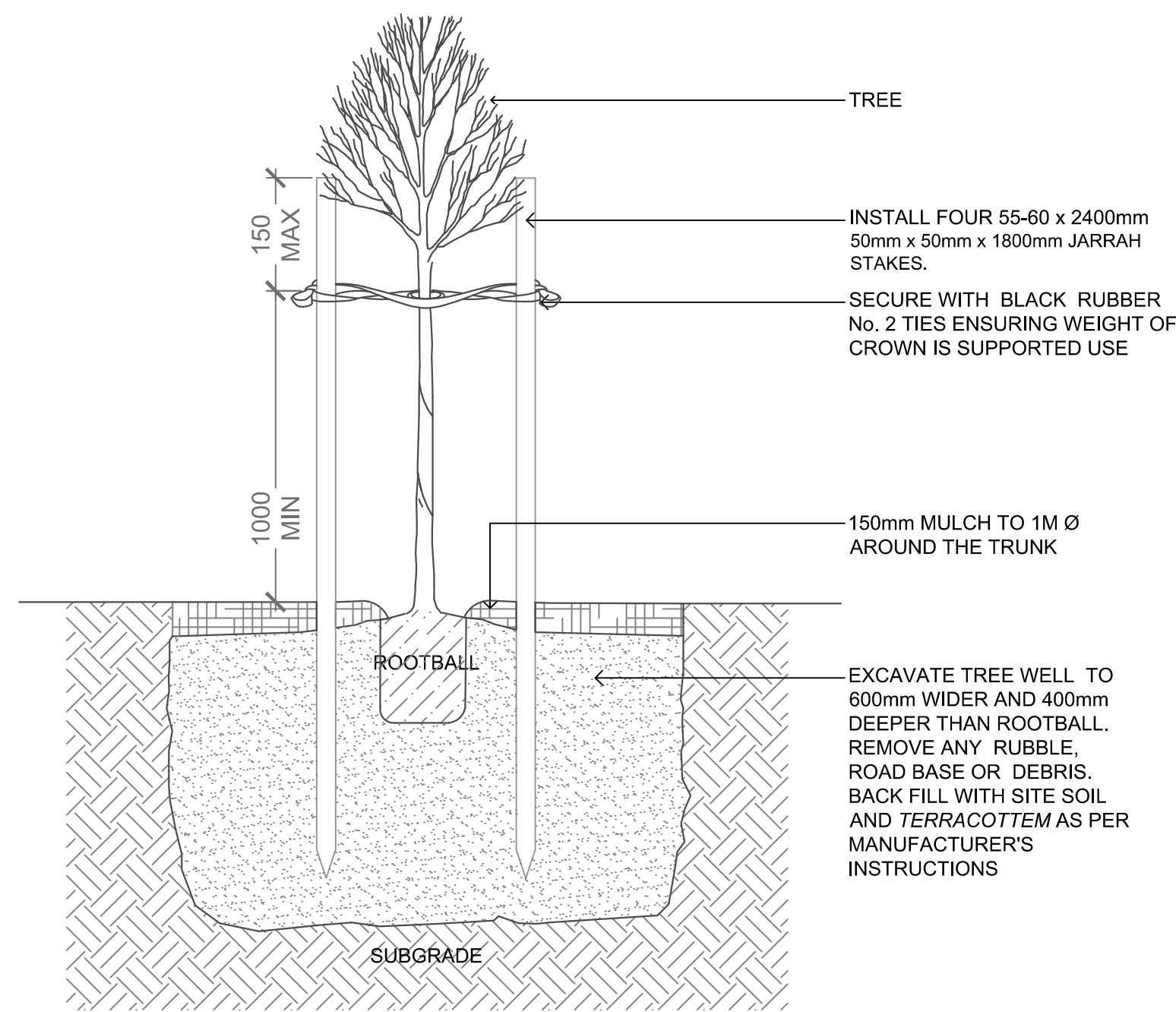
18 ROLL-ON TURF AREAS
Section Scale 1:10



19 TUBESTOCK PLANTING
Section Scale 1:10



20 SHRUB PLANTING
Section Scale 1:10



21 TREE PLANTING
Section Scale 1:20

PORT HEDLAND LANDSCAPE GUIDELINES




SOFTSCAPE ELEMENTS STANDARD DRAWING DETAILS





Drawings	Revision	
STD16 - STD20	REV B	
Date	Sheet	Scale
6th Feb 2018	2 of 2	varies @ A1



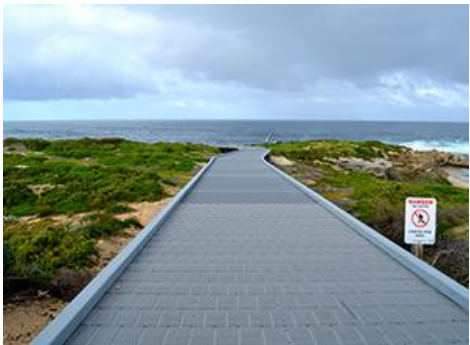
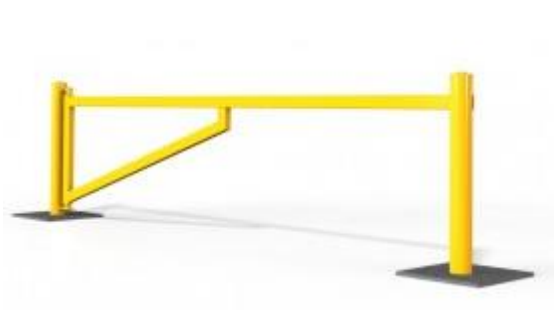

Appendix 3.






Town of Port Hedland Preapproved Items






DRAFT


ITEM	DESCRIPTION	PHOTO	APPROVED MODEL/S
01	Compacted Surfaces		White Quartz Cracker Dust
02	Compacted Surfaces		Red Scoria
03	Concrete Finishes		Grey or Red Tint
04	Concrete Finishes		Shell Crete

<p>05</p>	<p>Concrete Finishes</p>		<p>Exposed Aggregate</p>
<p>06</p>	<p>Unit Pavers</p>		<p>'Spinifex' Paving 300x300x60mm</p>
<p>07</p>	<p>Edging</p>		<p>Extruded Concrete – Bullnose edge</p>
<p>08</p>	<p>Edging</p>		<p>4mm Galvanised Steel</p>

<p>9</p>	<p>Compound Fencing</p>		<p>2.4m black galvanised palisade</p>
<p>10</p>	<p>Playground Fencing</p>		<p>2.4m black galvanised palisade- Flat top</p>
<p>11</p>	<p>Board Walks</p>		<p>Replas Enduroplank - Grey</p>
<p>12</p>	<p>Boom Gates</p>		<p>Leda Security Products – Model MSGF</p>
<p>13</p>	<p>Chicanes</p>		

<p>14</p>	<p>Park Lighting - Powered</p>		<p>Greenfrog Systems - Sentinel</p>
<p>15</p>	<p>Park Lighting - Solar</p>		<p>Greenfrog Systems - Stealth</p>
<p>16</p>	<p>Bollards - Steel</p>		<p>Galvanised Steel</p>
<p>17</p>	<p>Bollards - Recycled Plastic</p>		<p>Flexi Pole Bollards – Charcoal</p> <p>Dimensions may vary and need Town approval</p>
<p>18</p>	<p>Seats</p>		<p>Exteria Street and Park Outfitters – Parkway Seat</p> <p>Colour to be approved by the Town</p>

<p>19</p>	<p>Benches and Tables</p>		<p>Exteria Street and Park Outfitters – Garden Table with Boardwalk Bench Colour to be approved by the Town</p>
<p>20</p>	<p>Boulder Seating</p>		<p>Unquarried Sandstone Boulders</p>
<p>21</p>	<p>Litter Bin Post</p>		<p>Exterior Street & Park Outfitters – Steel SHS Posts Hot dip galvanised finish</p>
<p>22</p>	<p>Dog Bag Dispensers</p>		<p>Woodlands AMS Dog Bag Dispenser – Galvanised Steel.</p>
<p>23</p>	<p>Drinking Fountains</p>		<p>Urban Fountains and Furniture – PF400 Pet Friendly Drinking Fountain. Steel RHS Mai Body. Hot Dip galvanised or powdercoat (colour to be approved by the Town)</p>

24	Bicycle Racks		Single Hoop Galvanised Bicycle Racks.
25	Barbeques		Christie Modular Electric BBQ. Bench configuration will vary depending on POS needs.

Preferred Planting Guide



Preferred Planting Guide



Town of
Port Hedland

Contents

Trees	7
Golden Flower Tree - <i>cassia fistula</i>	7
Royal Poinciana - <i>delonix regia</i>	8
Yellow Poinciana – <i>peltophorum pterocarpum</i>	9
Summer Red Flowering Gum – <i>corymbia ficifolia</i>	10
Rosewood – <i>tipuana tipu</i>	11
Coolibah - <i>eucalyptus vitrix</i>	13
Cadjeput – <i>melaleuca leucadendron</i>	14
Pink Trumpet Tree – <i>tabebuia rosea (alba)</i>	15
Pundul Tree- <i>owenia reticulate</i>	16
Tuckeroo - <i>cupaniopsis anarcardioides</i>	17
Pilbara Jam – <i>acacia citrinoviridis</i>	18
Manggurda Wattle – <i>acacia distans</i>	19
Western Gidgee – <i>acacia pruinocarpa</i>	20
Neem Tree – <i>azadirachta indica</i>	21
Native Bauhinia- <i>lysiphyllum cunninghamii</i>	22
River She-oak- <i>casuarina equestifolia</i>	22
Desert Bloodwood- <i>corymbia opaca</i>	23
Broome Bloodwood- <i>corymbia zygophylla</i>	24
Yulbar- <i>erythrin vespertilio</i>	25
White Gum- <i>eucalyptus alba</i>	26
Snappy Gum- <i>eucalyptus luecophloia</i>	27
Ghost Gum- <i>corymbia aparrerinja</i> N.....	28
Red Mallee- <i>eucalyptus socialis</i> N	29
Lebbek Tree – <i>albizia lebbek</i>	30
Cottonwood- <i>hibiscus tiliaceus</i>	31
Rain tree- <i>albizia saman</i>	32
Jacaranda- <i>jacaranda mimosifolia</i>	33

Preferred Planting Guide



Town of
Port Hedland

African Mahogany- <i>khaya senegalensis</i>	34
Indian Beech- <i>mellitia pinata</i>	35
Spanish Cherry- <i>mimusops elengi</i>	36
African Tulip- <i>sapthodia companulate</i>	37
Native Almond- <i>terminalia canescens</i>	38
Beach Almond- <i>terminilia cattapa</i>	39
Wild Plum- <i>terminilia platyphylla</i>	41
Paper Bark- <i>melalueca luecadendra</i>	42
Silver Cadjeput- <i>melaeluca argenta</i>	43
Quandong- <i>santalum acuminatim</i>	44
LOCUST - <i>Gleditsia triacanthos- Shademaster</i>	45
Small Trees	46
Mulga- <i>acacia anuera</i>	46
Dogwood- <i>acaia coriacea</i>	47
Curly-bark Wattle- <i>acacia monticola</i>	47
Pilbara Weeping Wattle- <i>acacia orthocarpa</i>	47
Pindan Wattle- <i>acacia tumida</i>	47
Desert Kurrajong- <i>brachychiton gregorii</i>	49
Callistemon- <i>Kings Park Special</i>	49
Silver Cassia- <i>cassia artemisioides</i>	49
Green Cassia- <i>cassia chatelainiana</i>	49
Limestone Cassia- <i>cassia oligophylla</i>	50
Desert Poplar- <i>codonocarpus cotinifolius</i>	50
Rough Leaf Ghost gum- <i>corymbia aspera</i>	50
Desert Bloodwood- <i>corymbia deserticola</i>	50
Pilbara Bloodwood- <i>corymbia hamersleyana</i>	51
Twin Leaf Mallee- <i>eucalyptus gamophylla</i>	51
Silver Leaf Grevillea- <i>grevillea refracta</i>	51

Preferred Planting Guide



Town of
Port Hedland

Wickhams Grevillea- <i>grevillea wickhamii</i>	51
River Tea- tree- <i>melaleuca bracteata</i>	52
Hummock Honey Myrtle- <i>melaleuca eleuterostachya</i>	52
Native Myrtle- <i>myoporum montanum</i>	52
Frangipani- <i>plumeria obtuse</i>	53
Orange Bells- <i>tecoma smithii</i>	53
Yellow Bells- <i>tecoma stans</i>	53
Simple Leaf Chastetree- <i>vitex trifolia</i>	53
Shrubs:.....	54
Silky Wattle- <i>acacia acradenia</i>	54
Grey Whorled Wattle- <i>acacia adoxa</i>	54
Salt Wattle- <i>acacia ampliceps</i>	54
Arid Wattle- <i>acacia arida</i>	54
Cape Honeysuckle- <i>tecoma capensis</i>	55
Atkins Wattle- <i>acacia atkinsiana</i>	55
Two Nerved Wattle- <i>acacia bivenosa</i>	55
Coles Wattle- <i>acacia colei</i>	56
Wathmallu- <i>acacia cowleana</i>	56
Red Mulga - <i>acacia cyperophylla</i>	56
Maiden Wattle- <i>acacia ancistrocarpa</i>	56
Waxy Wattle- <i>acacia dictyophleba</i>	57
Woodstock Wattle- <i>acacia levata</i>	57
Maitlands Wattle- <i>acacia maitlandi</i>	57
Ranji Bush- <i>acacia pyrifolia</i>	57
Limestone Wattle- <i>acacia sclerosperma</i>	58
Curry Wattle- <i>acacia spondylophylla</i>	58
Northern Star Wattle- <i>acacia stellaticeps</i>	58
Pilbara Minni Ritchi- <i>acacia trachycarpa</i>	59

Preferred Planting Guide



Town of
Port Hedland

Poverty Bush- <i>acacia translucens</i>	59
Wanyu- <i>acaia wanyu</i>	59
Paper Flower- <i>bougainvillea glabra</i>	60
Caper Bush- <i>capparis spinosa</i>	60
Dumara Bush- <i>cynanchum floribundum</i>	60
Spotted Emu Bush- <i>eremophila maculate</i>	61
Turpentine Bush- <i>eremophila fraseri</i>	61
Desert Fuchsia- <i>eremophila macdonnelli</i>	61
Emu bush- <i>eremophila compacta</i>	62
Silver Poverty Bush- <i>eremophila pterocarpa</i>	62
Tar Bush- <i>eremophila glabra</i>	62
Royal Mulla Mulla- <i>ptilotus rotundifolius</i>	62
West Pilbara Grevillea- <i>grevillea pyramidalis</i>	63
Ixora species- <i>ixora coccinea</i>	63
Tall Mulla Mulla- <i>ptilotus exaltatus</i>	63
Thick Leaf Fan Flower- <i>scaevola crassifolia</i>	63
Bird of Paradise- <i>strelitzia reginae</i>	65
Cockies Tongue- <i>templetonia retusa</i>	65
Grey Germander- <i>teucrium racemosum</i>	65
Inland Tea-tree- <i>melalueca-glomerata</i>	66
Regal Bird Flower- <i>crotalaria cunninghamii</i>	66
Grasses and Groundcovers:	67
Fire Cracker Plant- <i>russelia equisetiformis</i>	67
Red Fountain Grass- <i>pennisetum setaceum</i> (<i>rubrum</i>).....	67
Feathertop Threeawn- <i>aristida inaequiglumis</i>	67
Curly Mitchell Grass- <i>astreba lappacea</i>	68
Variable Daisy- <i>brachyscombe ciliraris</i>	68
Pilbara Daisy- <i>brachyscombe iberidifolia</i>	68

Preferred Planting Guide



Town of
Port Hedland

Lemon Scent Grasses- <i>cynbopogon species</i>	68
Namana- <i>euphorbia australis</i>	69
Gin Gin Gem- <i>grevillia obtusifolia</i>	69
Sea Spray- <i>grevillia thelemanniana</i>	69
Native Sweet Potato- <i>ipomoea costata</i>	69
Beach Morning Glory- <i>ipomoea brasiliensis</i>	71
Native Morning Glory- <i>ipomoea muelleri</i>	71
Creeping Boobiialla- <i>myoporum parvifolium</i>	71
Sturts Desert Pea- <i>swainsona formosa</i>	71
Dampier Pea- <i>swainsona pterostylis</i>	72
Kangaroo Grass- <i>themedra triandra</i>	72
SnakeVine- <i>tinospora smilaciana</i>	72
Spinifex- <i>triodia sp.</i>	73
Needle Grass- <i>triraphis mollis</i>	73
Turf	74
Winter Green.....	74
Zoysia.....	75



Trees

Golden Flower Tree - *cassia fistula*

The Golden Flower Tree is a fast growing Indian tree to about 6 m high with large compound leaves and about 16 pairs of leaflets per leaf, often deciduous or semi-deciduous. Massed bunches of bright yellow flowers are produced in late spring to early summer, often later in cooler climates. The yellow flowers are arranged in large pendulous sprays and the cylindrical seed pods often exceed 30 cm long. Some old pods can be found hanging on the tree at most times of the year. The pods, seeds and pulp between the seeds should not be eaten. Good wind resistance.



South Hedland Primary School - Weaver Street

Preferred Planting Guide



Town of
Port Hedland

Royal Poinciana - *delonix regia*

This many-branched, broad, spreading, flat-crowned deciduous tree is well-known for its brilliant display of red-orange bloom, literally covering the tree tops. There is nothing like a Royal Poinciana (or better yet, a group of them) in full bloom. The fine, soft, delicate leaflets afford dappled shade during the remainder of the growing season, making Royal Poinciana a favorite shade tree or freestanding specimens in large, open lawns. The tree is often broader than tall, growing about 15m high and 10m wide. Trunks can become as large as 50 inches or more in diameter. Eighteen-inch-long, dark brown seed pods hang on the tree throughout the winter, then fall on the ground in spring creating a nuisance.



Port Hedland – Below the water tower

Preferred Planting Guide



Town of
Port Hedland

Yellow Poinciana – *peltophorum pterocarpum*

This upright, handsome, spreading, semi evergreen tree has a rounded canopy and is capable of reaching 15m in height with a 10m spread. Form can be quite variable from tree to tree. With proper training and pruning in the nursery and in the landscape, a more uniform crown will develop. The dark green, delicate, feathery leaflets provide a softening effect for the tree's large size and create a welcoming, dappled shade. During spring the entire tree's canopy is smothered with a yellow blanket of flowers, appearing in showy, terminal panicles and exuding a delicious, grape-like perfume. These flower clusters are followed by four-inch-long seed pods which ripen to a brilliant, dark, wine-red.



Preferred Planting Guide



Town of
Port Hedland

Port Hedland Race Course.

Summer Red Flowering Gum – *corymbia ficifolia*

Prefers infertile, sandy soils but it is readily adaptable to most temperate locations, provided it is not exposed to severe frost or sustained tropical damp. It is an ideal street tree as it is hardy, moderately fast growing, and rarely grows large enough to require pruning. Typically it will take about 7 years before it flowers for the first time and 15–20 years to reach something approaching its full size of anything between 2–8 m. For the home gardener, buying a "red flowering gum" from a nursery is something of an adventure: it may or may not be a *ficifolia*, and the flower colour does not breed true - there is no way to find out what colour the flowers will be short of planting a seedling and waiting for it to reach maturity



Preferred Planting Guide



Town of
Port Hedland

Pepperflower Way South Hedland

Rosewood – *tipuana tipu*

Rosewood, Pride of Bolivia, Racehorse Tree Tipuana tipu is a fast growing, winter deciduous shade tree. The winged seeds look like they might belong to the maple family, but the pinnate foliage gives away its true allegiance - it's a legume. The seeds are produced abundantly and will produce almost 100 per cent germination. The long arching growth shows just how fast this tree can grow in a single season. Given access to good water, the trees will reach 30 metres.

A tree that can be grown pretty much anywhere across Australia. This tree is certainly adaptable. It can tolerate saline soils, is tolerant of frost once it's established, and temperatures of minus 4 are no problem at all. These trees cope with drought and are adaptable to different seasons. The roots will search out water wherever they can find it, so it's an aggressive rooting tree.



Preferred Planting Guide



Town of
Port Hedland



Preferred Planting Guide



Town of
Port Hedland

Coolibah - *eucalyptus vitrix*

The Coolibah is an ideal ornamental small to medium Tree with smooth white trunk to 12m high. It has white flowers in the spring. Dull light green to grey-green lanceolate foliage. Terminally held peduncles in groups of 7 with conical to rounded operculum. Flowers creamy white, Nov–Mar. Bark smooth throughout, white and powdery. Tolerates heavier soils and temporary inundation. Drought tolerant. Generally free of any serious pests or diseases. Attracts honey & seed eating birds



Preferred Planting Guide



Town of
Port Hedland

Cadjeput – *melaleuca leucadendron*

The paperbark tree gets its name from its layered and papery bark. The plant typically grows to about 75 feet in height although it also grows as a smaller shrub in some areas. The tree's new shoots, covered in thick silky hairs, give the tree a somewhat silvery appearance. Stands of paperbark occur in swampy, coastal areas in humid, hot regions. From March to December, the tree produces flowers that grow up to 5 inches in length. Once the flowers fade, small fruits appear with mature seeds ready for collection in October or November. The oil from the tree makes a good antiseptic as well as insect repellent.



Preferred Planting Guide



Town of
Port Hedland

Pink Trumpet Tree – *tabebuia rosea (alba)*

This tree, with rough bark, has compound leaves with 5 leaflets, the lower pair are smaller than the other 3, margins smooth, upper leaflets lanceolate to 15 x 8 cm, midrib pale, flat with surface or slightly raised, lepidote scales present. Flowers with a bilabiate pink calyx, lepidote scales obvious; corolla pink, throat whitish.



Port Hedland Anderson Street

Preferred Planting Guide



Town of
Port Hedland

Pundul Tree-owenia reticulate

A Small Tree, 4-14 m high, bark often black and corky. Large leaves comprise smaller smooth leathery mini leaves. Flowers are white, and occur between May and Oct to Nov. The seeds were roasted and extracted, and applied to sores. A leaf infusion was used as a poultice. The nutty fruits were possibly eaten.

Grows best in Coastal areas of tropical Western Australia and the Northern Territory. Sandy soil. Full sun.



South Hedland Cottier Drive

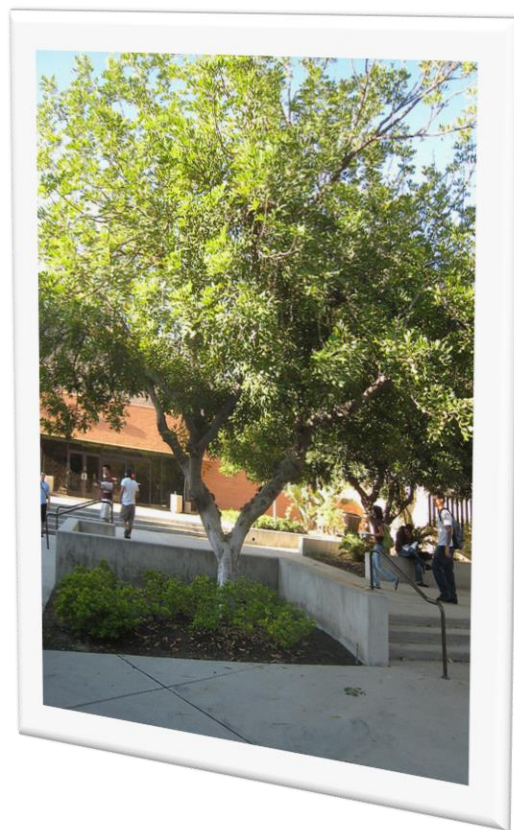
Preferred Planting Guide



Town of
Port Hedland

Tuckeroo - cupaniopsis anarcardioides

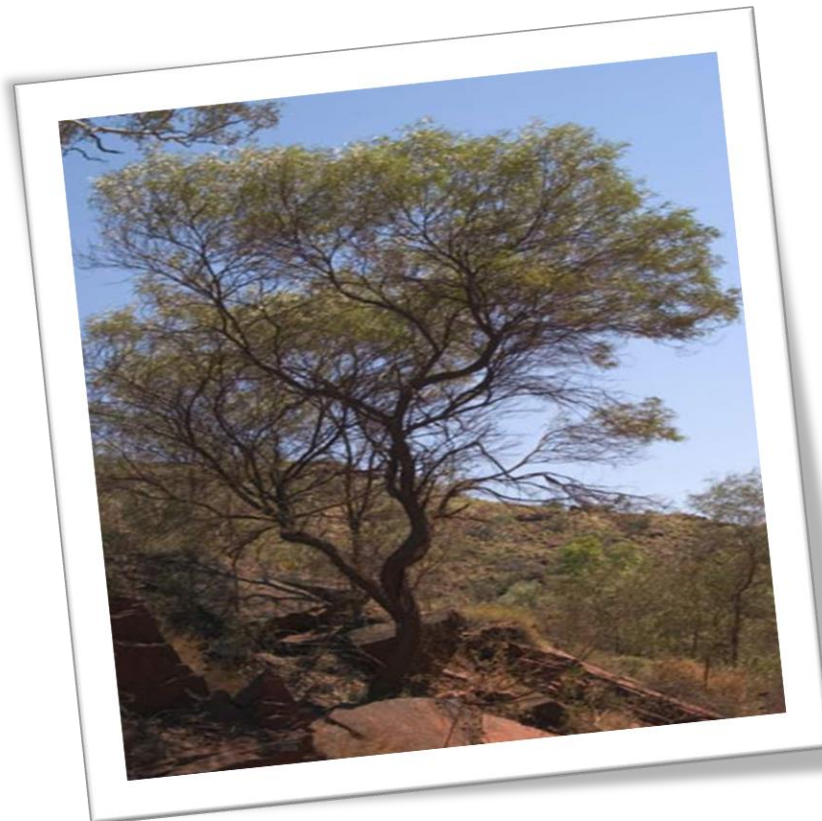
A very hardy native tree growing to a height of about 8 m by 5 m wide. It will perform well in harsh conditions including poor soils, salt, wind exposure and air pollution. It has leathery leaves and produces small creamy-yellow to green-yellow flower clusters on the ends of branches, which are followed by orange-yellow berries. It is an excellent tree for screening and street planting and is also a known host for at least eight species of native butterflies.





Pilbara Jam – *acacia citrinoviridis*

Acacia citrinoviridis, commonly known as pilbara jam, black mulga, river jam, milhan or wantan. Endemic to Western Australia it occurs along creeks and rivers in semi-arid land. Black mulga grows to a height of about eight metres. It usually has just one trunk. Like most acacias species, it has phyllodes rather than true leaves. These are a grey-olive colour, and may be up to 12 centimetres long and about one centimetre wide. The flowers are yellow, and held in cylindrical clusters. The pods are around 8 centimetres long and have a lemon-green felty covering.



Preferred Planting Guide



Town of
Port Hedland

Manggurda Wattle – *acacia distans*

Shapely trees with silvery grey-green crown 2-10 m high, grey, fissured. Flowers yellow, Mar to May. Clay, red sand, loam. Floodplains, hardpans, river beds. The common name Wattle is from the Banyjima name for the Fortesue River. are fast growers and are useful plants for restoring denuded areas, as well as being suitable for ornamental or use though their quick growth habit is offset by a short life. position in full sun with light free-draining soil. Although tolerant, once established most grow better with reliable moisture. Acacias can be given a light prune once flowering is species are short-lived and some may self-sow too freely, becoming weeds. Propagation is mostly from seed.



bark da
alluvium
Mangg
Most a
vegeta
landsc
Plant in
drough
summer

over. Many





Western Gidgee – *acacia pruinocarpa*

Acacia pruinocarpa (Black or Western Gidgee) is a thornless, Australian, shrub to small tree, native to dry hot inland areas. The trees mature height and width ranges from 3 to 8 mtr with leathery grey green phyllodes. In Spring a brilliant display of bright yellow ball flower cover the tree. It is a newly introduced ornamental shade tree for dry climate. It is one of the few Pilbara Wattles that flowers during the summer months.





Neem Tree – *azadirachta indica*

The Neem Tree is an evergreen tree native to Southeast Asia. The tree will reach up to 30 m tall with limbs reaching half as wide. The shiny dark green pinnately compound leaves are up to 30cm long. Each leaf has 10-12 serrated leaflets that are 7 cm long by 2.5 cm wide. All parts of the tree have been used medicinally for centuries. It is widely used in toothpastes, soaps and lotion today, as well as being a biological insecticide. The tree grows well in containers, where its size is easily controlled by container size and selective pruning. Very drought tolerant



Preferred Planting Guide

Native *Bauhinia-lysiphyllum cunninghamii*

The trees are up to six metres tall with dark, coarsely leaves have two lobes which are joined like a butterfly's to-back positioning of the leaves gives rise to the this tree – "Jiggle" tree. Jiggle means mother-in-law and Aboriginal custom, mother-in-law and son-in-law must each other. The seed pods are large and reddish brown, they mature. The flowers are bright red and full of popular tree with honeyeaters. Another name given to "Delight" because the sap, when dry, forms a chewy gum with the nectar resembles this sweet. The Bauhinia trees flowers spasmodically between April and August and fruits appear between November and January. It makes an ideal shade tree and is used for nesting in by native bees. A medium-sized tree, usually with a short, stout trunk, its outer branches hang down giving it a characteristic weeping appearance. The leaves of the Bauhinia are its most distinctive feature. Each consists of a paired leaflet resembling a butterfly. They are high in protein and are relished by many grazing animals, especially cattle.



flaking bark. The wings. This back Aboriginal name according to not directly face becoming darker nectar, making it this tree is "Turkis which when eaten



River She-oak-*casuarina equestifolia*

Preferred Planting Guide



Town of
Port Hedland

The River Oak is an attractive evergreen tree with fine greyish green needle-like foliage that grows to a height of 10–35 m with a spread of about 10 metres. The trunk is usually erect, with dense rough bark. Flowers are reddish-brown in the male and red in the female. Cones are small, nearly round to elongated and about 10 mm across. Trees are usually found in sunny locations along stream banks and swampy areas. It's widely recognised as an important tree for stabilising riverbanks and for soil erosion prevention, accepting wet and dry soils. Suited to windy sites and coastal areas.



Desert Bloodwood-*corymbia opaca*

Preferred Planting Guide



Town of
Port Hedland

Desert Bloodwood grows on the plains of the Great Sandy Desert. The tree grows up to 30 feet in height. The tree features rough bark and sap that looks like thick red blood while its leaves appear tough and leathery. The roots store water for use in dry periods. In April through October, the tree produces yellow and white flowers with nectar that provides food for several desert animals including opossums and insects. This tree has been a supermarket, pharmacy and hardware store for desert Aboriginal people. You can eat the plump, green grubs from the gall (bush coconut) and grubs that live under the bark; collect honey or "sugarbag" from the hives of stingless native bees; make a sweet drink from the nectar; make carrying bowls from the bumps (boules) on the bark, obtain medicine from the red sap and collect drinking water from hollows and the roots. The red sap was also used to tan kangaroo-skin water bags. The dead wood is one of the most favoured firewoods, burning with a steady, hot flame; fruit capsules are used and as toys in necklaces.

Broome *corymbia zygophylla*

Tree to 6m with bark and persistent; mature green. Flowers are contains sugarbag



Bloodwood

that is rough leaves dull white. Often (bush honey)



Yulbar-erythrin vespertilio

Deciduous tree that grows 3-15 m high. Flowers are orange-red and occur from May to Nov. Grows in sand, clay, loam and limestone. Gorges, along rivers & creeks. It's a tree native to north-east Australia. Its common names are Grey Bats Wing Coral Tree. Traditionally used by Aboriginals for a wide range of things including using the wood to make shields for medicinal purposes. This species' alternative common name of 'grey corkwood' refers to the grey colour of its lightweight



orange-red flowers occur from May to Nov. Grows in sand, clay, loam and limestone. Gorges, along rivers & creeks. It's a tree native to north-east Australia. Its common names are Grey Bats Wing Coral Tree. Traditionally used by Aboriginals for a wide range of things including using the wood to make shields for medicinal purposes. This species' alternative common name of 'grey corkwood' refers to the grey colour of its lightweight timber.



White Gum-*eucalyptus alba*

White Gum (*Eucalyptus alba*) is a small tree with broad leaves and creamy flowers. It has got a dull white bark, creamy-white flowers and narrow leaves.



Snappy Gum-eucalyptus leucophloia

Across the Pilbara grows a small twisted eucalypt known as Snappy Gum. So called because the dead branches snap cleanly across the grain when cracked across a rock or log. This makes them ideal for firewood. The young trees are smooth and graceful, but as they age, develop into fantastic, knotted, and twisted shapes.



Port Hedland Airport

Ghost Gum-corymbia aparrerinja N

Formerly *Eucalyptus papuana* and reclassified as *Corymbia aparrerinja*, this evergreen is known as the ghost gum because of its smooth white bark. It lives in red sand flats, dry creek beds and rocky slopes. Aborigines use its bark to treat colds, and it is prominent in their myths and stories.

Red Mallee-*eucalyptus socialis* N

Mallees are Eucalyptus plants whose common feature is multi-stemmed from the ground. There are a few groups like Mallets, and woodland eucalypts, that have a branching habit, but they start branching from the ground level, while mallees most often don't have one main trunk. Red Mallee (*Eucalyptus socialis*) is a mallee or small tree with creamy flowers, narrow leaves and dark grey bark. It is found in inland areas of South Australia, New South Wales, Western Australia and Northern Territory.



is that they are different from other eucalypts in that they are multi-stemmed. They have the trunk above the ground level. Red Mallee has a single trunk. Red Mallee has yellow to orange flowers. It is found in inland areas of Australia and

Lebbek Tree – *albizia lebbek*

Albizia lebbek is a species native to Indomalaya, New Guinea and Northern Australia and widely cultivated and naturalised in other tropical and subtropical regions. English names for it include Lebbeck, Lebbek Tree, Flea Tree, Frywood, Koko and Woman's tongues Tree. The latter name is a play on the sound the seeds make as they rattle inside the pods. Being one of the most widespread and common species of *Albizia* worldwide. It is a tree growing to a height of 18–30 m tall with a trunk 50 cm to 1 m in diameter. The leaves are bipinnate, 7.5–15 cm long,



Preferred Planting Guide



Town of
Port Hedland

with one to four pairs of pinnae, each pinna with 6–18 leaflets. The flowers are white, with numerous 2.5–3.8 cm long stamens, and very fragrant. The fruit is a pod 15–30 cm long and 2.5–5.0 cm broad, containing six to twelve seeds



South Hedland

Cottonwood-hipiscus tiliaceus

Preferred Planting Guide



Town of
Port Hedland

Hibiscus tiliaceus is a tree native to the shores of the oceans, today cultivated or naturalised throughout the subtropical regions of the world, particularly in coastal areas mainly as an ornamental tree for landscaping, although flowers have been used for various purposes. *Hibiscus* a height of up to 8-10 m (26'-32') and can grow just as wide if not pruned. It is suitable for sandy and moist soils, although it will also grow well under drier conditions and in a variety of soils. It can also stand in brackish water and is tolerant of salt spray, and therefore it is an excellent species for coastal areas. The trees are very ornamental, with large heart-shaped leaves and dense foliage. The leaves are usually dark green, but there are selections available with variegated or purplish foliage. The hibiscus-like flowers are bright yellow with a crimson centre, and usually point downwards on the tree or slightly sideways. In winter there may be few or no flowers in mild-tropical or subtropical climates, but the flowers may remain on the tree for more than a single day, creating an interesting effect as both yellow and reddish flowers can be seen on the trees at the same time.



Pacific and Indian tropical and subtropical areas. It is grown for its wood, bark and flowers. *Hibiscus tiliaceus* can be grown wide if not pruned. It grows well under drier conditions and in brackish water and is a good species for coastal areas. The trees are very ornamental, with large heart-shaped leaves and dense foliage. The leaves are usually dark green, but there are selections available with variegated or purplish foliage. The hibiscus-like flowers are bright yellow with a crimson centre, and usually point downwards on the tree or slightly sideways. In winter there may be few or no flowers in mild-tropical or subtropical climates, but the flowers may remain on the tree for more than a single day, creating an interesting effect as both yellow and reddish flowers can be seen on the trees at the same time.

RFDS at Airport



Rain tree- *albizia saman*

Preferred Planting Guide

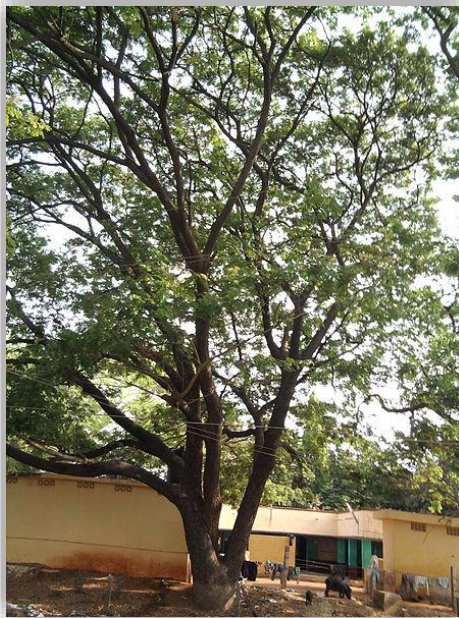


Town of
Port Hedland

The rain tree is member of the pea family and is found tolerates dry periods. Tolerates a range of soils from infertile or waterlogged soils. Grows best in moist well leaves fold in rainy weather and in the evening, hence tree" and "five o'clock tree" (Pukul Lima) in Malay. this tree are available, e.g., with reddish pink and colored flowers. Can reach a height of 25 mtrs with a Crown. Early discoveries of these trees were made in alive today.



in tropics and heavy clays to fertilized soil. T the name "rain Several lineage creamish golde large symmetric 1800 and are st



South Hedland Byass Street

Jacaranda-jacaranda mimosifolia

This deciduous or semi-deciduous tree is originally from South America. It has feathery foliage and clusters of pale mauve, trumpet-shaped flowers in September and October There are 4 stamens, as v

Preferred Planting Guide



Town of
Port Hedland

there is an unusual elongated, glandular-pubescent
fruits are round flattened, woody capsules that usually
tree for quite a few months.



staminode. The
remain on the



African Mahogany-*khaya senegalensis*

Preferred Planting Guide

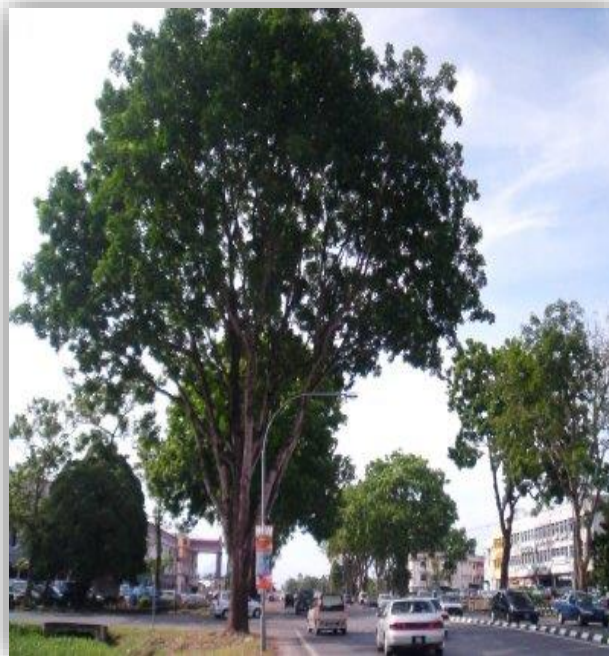


Town of
Port Hedland

African mahogany is a medium-sized tree which can grow height and 1 m in diameter. The bark is dark grey to grey-heartwood is brown with a pink-red pigment made up of grains. The tree is characterised by leaves arranged in a clustered at the end of branches. The white flowers are fruit changes from grey to black when ripening.



up to 15–30 m in
brown while the
coarse interlocki
spiral formation
sweet-scented;



Indian Beech-mellitia pinata

Preferred Planting Guide



Town of
Port Hedland

A very hardy, fast-growing coastal native tree that is found throughout Asia (Pantropic). The Pongamia is long-lived in wet and dry tropical areas and will even grow with its roots in river estuaries. In India it has been cultivated for over a century as a useful source of lamp oil (biofuel) and a natural medicine. It produces terminal clusters of pink flowers that stand well clear of the green leaves. Useful as a shade tree, it may reach a height of about 15m with a similar spread and is suitable for small to medium-sized gardens.



naturally
and thrives
in saline wa
3000 years
It produces
broad, glos
of about 15
suitable for
gardens.



McDonalds South Hedland

Spanish Cherry-*mimusops elengi*

Preferred Planting Guide

A most beautiful evergreen medium height tree with an elegant shapely crown. Mimosa is a native of India, Burma, Sri Lanka. highly fragrant small whitish flowers in February-March. It is also 'sacred garland tree', and 'maha gandh raj' or 'emperor of The fragrance of the flowers can be described as a combination of gardenia. These Trees have been planted in the South Hedland redevelopment.



growth habit an
The tree bears
known as India'
fragrance trees'
tuberose and
CBD



African Tulip-sapthodia companulate

Preferred Planting Guide



Town of
Port Hedland

A most attractive tree when flowering, this African tree is a weed in the wet tropics. In moist areas the seeds germinate readily, as well suckers arise from damaged roots. The opposite, pinnate leaves up to about 20 cm long with 8-18 leaflets are leathery, shiny green above but with some hairs on the lower surface. The large 8-12 cm long, flowers are grouped in large clusters, when the calyx splits then the orange to red crinkly petals unfold. The freshly opened flower and the buds are filled with copious nectar, popular with birds. The fruit is an elongate follicle, up to about 20 cm long, that is usually held upright. At maturity it splits along the side to release numerous winged seeds.



Native Almond- *terminalia canescens*

Preferred Planting Guide



Town of
Port Hedland

More or less a deciduous shrub or tree that grows from 1-10 m high. Flowers cream-white/white-green, Jan to Jul. Stony soils, red laterite. Variety of habitats



10 m high. Flowers cream-white/white-green, Jan to Jul. Stony soils, red laterite. Variety of habitats



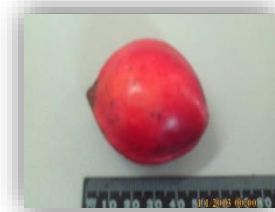
Beach Almond- *terminilia cattapa*

Preferred Planting Guide



Town of
Port Hedland

Beach Almonds are large, handsome trees growing to 35 m tall, with an upright, symmetrical crown and horizontal branches, as the tree gets older, its crown becomes more flattened to form a spreading, vase shape. The leaves are large, 15-25 cm long and 10-14 cm broad, ovoid, glossy dark green and leathery. The leaves form a rosette and are found only at the end of a branch. During the dry season, the leaves turn into autumn colours of red, copper and gold before falling. The green almond-shaped fruit turns red to purple when ripe, the smooth outer skin covers an inner layer of corky fibre's which surround the nut, the seeds are dispersed by water. The nuts are edible and taste like almonds.



South Hedland- Kybra Close

Preferred Planting Guide



Town of
Port Hedland

Wild Plum-terminilia platyphylla

Small tree with large broad leaves. Cream coloured flower spikes. The fruit is edible. Also, the hardened exudate from the trunk is eaten as toffee. Native to tropical western Queensland and the Northern Territory. Often found along watercourses. Full sun.



Paper Bark-*melaleuca luecadendra*

Melaleuca luecadendra or Cadgeput Tree is widely distributed in Western Australia. It has been used as a Street Tree in Parts of has a thick spongy bark, bright green foliage and a slightly weeping habit. It seems to be tolerant of extreme water-logging, clay soils and seems able to withstand cyclones with the greatest of ease.



northern parts of South East Asia. It has a slightly weeping habit. It seems to be tolerant of extreme water-logging, clay soils and seems able to withstand cyclones with the greatest of ease.



Silver Cadjeput- *melaeluca argenta*

Although this tree can grow large, it will flower as a shrub. It is a very useful ornamental but requires moisture for best results. Its foliage is a silvery colour with the cream, perfumed 'bottle brush' flowers attracting numerous birds. Usually grows into a medium-sized tree and is usually found along creeks and watercourses. Bark has the usual papery texture.



Quandong- *santalum acuminatim*

The Native Peach is a small Tree that can grow up to 8mtrs but usually around 3mtrs. It is a parasitic plant with roots attaching themselves to the root of another shrub. The leaves are distinctly grey-green and are leathery and variable in size. The flowers are small, white, and occur in clusters at the ends of branchlets. The greenish or yellow fruit is about 3cm in diameter and becomes bright red when ripe. The edible fruit is high in vitamin C and various minerals, and is made into jams, pies, or eaten raw. The ground seed kernels have been used as a liniment. The root was ground and an infusion was drunk to treat rheumatism. The leaves were crushed and a poultice was made to treat sores and boils. : Native to semi arid and arid regions of mainland Australia. Prefers full sun and sandy soils.



LOCUST - *Gleditsia triacanthos*- *Shademaster*

Gleditsia are proven as hardy street and shade trees, being fast-growing, heat and drought tolerant and well-suited for the demands of urban environments. Trees grow with an open, spreading canopy and have attractive, fine, somewhat weeping foliage. The 'Shademaster' variety is a thornless, medium to large tree, distinctive for its spreading upper canopy, persistent dark-green foliage and golden-yellow autumn colour. Suitable for lawn sites. Tolerates root covering. Urban environments. Heat and drought tolerant when established. Mildly frost tolerant.





Small Trees

Mulga- *acacia anuera*

The common name, ***Mulga*** is an Australian Aboriginal word that means dream seed, both the tree and it's seed are part of their mythology. The tree has a moderate growth rate with a mature height of approx. 4m. It grows well in a variety of settings but prefers full sun and well drained soils. The densely arranged needle-like, silver -gray (leaves) give the canopy an airy, lacy quality that contrasts with the dark reddish brown branches. The canopy can extend to the ground. Typically bottom branches are trimmed to expose the trunk(s) and give the tree an umbrella form.





Dogwood- *acaia coriacea*

Spreading shrub or tree 1–10 m high. Bark fibrous, hard or thick-spongy. Young new growth yellow-green. Flowers are pale yellow to cream coloured and often occur all year round.



Curly-bark Wattle-*acacia monticola*

Also known as Red Wattle or Scratchy Wattle, this large shrub is a common component of the pindan vegetation especially around the Dampier peninsular. It has reddish brown bark that continuously peels in small curly flakes leaves the tree looking like it has a coat of red curly hair. Traditionally used to make digging and clapping sticks, boomerangs and spear heads out of the wood. .



Pilbara Weeping Wattle-*acacia orthocarpa*

Often weeping or sometimes bushy and low-spreading, resinous shrub or small tree to 4 m high. Bark smooth or flaky, grey, dark grey or grey-brown. Yellow flower spikes often occur all year round.



Pindan Wattle-*acacia tumida*

When this wattle flowers in the dry season, the air is heavily scented with a sweet perfume. The pollen, however, can cause hay fever. It often forms dense thickets in red sand with spinefex, described as Pindan country around the Pilbara area. *Acacia tumida* is a short-lived spreading shrub or tree up to nine metres. The upper bark is smooth, white and sometimes waxy, but the lower bark is dark and ruptured.



Preferred Planting Guide



Town of
Port Hedland



Desert Kurrajong-*brachychiton gregorii*

A small tree found in Northern and Western Australia grows from between 3-12m with cream-yellow/green flowers occurring between November to January. Prefers Red sandy loam and grows in sand dunes as well as rocky ridges and slopes.



Callistemon-Kings Park Special

'Kings Park Special' is a seedling that was raised at Kings Park and Botanic Gardens in Perth. The origin of the seed is not known. This cultivar grows into small bushy trees from 3 to 5m tall by 3 to 4m wide. The inflorescences are in multiple heads on branch terminals and are bright red in colour. The flowering season in Western Australia is from mid-September to October with a smaller flowering in autumn.



Silver Cassia- *cassia artemisioides*

This is a shrub that grows up to 3 metres in height. It has pinnate leaves with between 1 and 8 pairs of leaflets. It produces an abundance of yellow flowers in winter and spring which are about 1.5 cm in diameter, followed by 2 to 7 cm long flat green pods which age to dark brown. The species adapts to a wide range of climatic conditions, although it is susceptible to frost, particularly when young. It prefers dry, well drained sites with full sun.



Green Cassia- *cassia chatelainiana*

Shrub that grows from .6 to 3m tall. Yellow flowers appear in April through to September. Grows in red sandy, loamy, clayey often stoney soils.



Preferred Planting Guide



Town of
Port Hedland

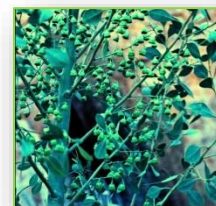
Limestone Cassia-*cassia oligophylla*

Can be used as an informal clipped hedge, background, screen, xeric garden accent. Moderate fast grower to 2m with equal spread, rate of growth strongly influenced by water availability. Golden pea flowers in late to early spring but not fragrant.



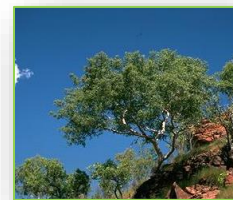
Desert Poplar-*codonocarpus cotinifolius*

Red sandy soils in drier inland regions. Small erect short lived tree or tall shrub, up to 4 m tall. Smooth pinkish trunk. Leaves: Broad oval tapering to a point 2-5cm long. Dull waxy bright grey-green. Borne on long stalks Flowers: Small insignificant attached to long stalks near ends of branchlets.



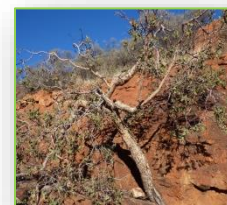
Rough Leaf Ghost gum-*corymbia aspera*

A ghost gum tree of wide distribution across drier monsoonal areas of northern Australia from near Halls Creek and Kununurra in Western Australia through the Northern Territory between Wauchope and the Roper River catchment. It occurs on sandstone and quartzite ranges and ridges. *Corymbia aspera* has a trunk entirely smooth-barked or with a short tessellated stocking of rough bark.



Desert Bloodwood-*corymbia deserticola*

Tree (mallee), 2-6 m high, bark rough, tessellated. Flowers are cream-yellow. Adapts well to Stony plains, rocky hills & mountains



Preferred Planting Guide



Town of
Port Hedland

Pilbara Bloodwood-*corymbia hamersleyana*

Tree (rarely mallee), that grows from 3-10 m high, bark rough, tessellated. Flowers are white to cream and appear from April to August. Red sandy loam or sand. Drainage lines, stony hillsides, plains.



Twin Leaf Mallee-*eucalyptus gamophylla*

Mallee, occasionally almost prostrate growing 1.5-7 m high. The bark can be smooth or rough. Flowers are white and appear between Nov to Feb. Grows in red sand, sandplains & dunes, stony spinifex country.



Silver Leaf Grevillea- *grevillea refracta*

Grevillea refracta grows mainly in sandy, gravelly open country such as spinefex plains and on sandstone ridges. It is a common sight along roads and creeks. Flowers between March and October.



Wickhams Grevillea- *grevillea wickhamii*

Grevillea wickhamii is an erect small tree that can reach up to 6m tall which is endemic to Western Australia. It has grey green leaves which have a holly like shaped leaves. There are a number of sub species which have a wide range of colours including red, pink, orange and yellow.

Civic Centre Port Hedland





River Tea- tree-*melaleuca bracteata*

Melaleuca bracteata or 'river tea tree' is large shrub or small tree native to the northern regions of Australia and as the name suggests it is found growing along rivers and water courses. This species is also known variously as 'snow in summer' and 'white cloud tree' because in summer it produces a massive flowering display which envelopes the entire canopy. It is tough, has a compact canopy, single straight trunk and doesn't grow large enough to threaten overhead power lines. Good specimen tree.



Hummock Honey Myrtle- *melaleuca eleuterostachya*

Erect shrub or tree that will grow up to 4m high. Flowers are white and occur between July through to Jan. grows on sandy or clayey soils, often over limestone. Mostly seen on plains, low hills, moist depressions.



Native Myrtle-*myoporum montanum*

Attractive, hardy low growing small tree to 4m with deep green foliage and white flowers with purplish dots appearing most of the year. A very tough plant tolerating most well-drained soils and situations, frost and extended dry periods. Also tolerates alkaline soils. Prefers full sun but will grow in partial shade, not as dense as full sun. Can be rejuvenated by pruning or cutting back hard if it becomes too woody. Excellent for embankment and erosion control and is a good fire retardant plant.





Frangipani-*plumeria obtuse*

The attractive flowers are most fragrant at night in order to lure insects and moths to pollinate them. The flowers have no nectar, however, and simply dupe their pollinators. The insects/moths inadvertently pollinate them by transferring pollen from flower to flower in their fruitless search for nectar.



Orange Bells- *tecoma smithii*

Orange Bells is an attractive plant that is cultivated as an ornamental it has sharply-toothed, lance-shaped green leaves and bears large, showy, bright golden orange trumpet-shaped flowers. It is drought-tolerant and grows well in warm climates.



Yellow Bells- *tecoma stans*

Yellow Bells is an attractive plant that is cultivated as an ornamental it has sharply-toothed, lance-shaped green leaves and bears large, showy, bright golden yellow trumpet-shaped flowers. It is drought-tolerant and grows well in warm climates.



South Hedland

Simple Leaf Chastetree-*vitex trifolia*

Vitex trifolia is a large coastal shrub small tree less than 5 m in height with the stems covered by soft hairs. Grows on sand, coral, gravel or shale. Simpleleaf chastetree is occasionally found in clay over limestone but this is rare. It also grows on beaches and along the inland edge of mangrove swamps, in grasslands and in forest and secondary vegetations. It is often found near watercourses.





Shrubs:

Silky Wattle- *acacia acradenia*

A spindly shrub to 5m high with smooth to fibrous bark. Flower are yellow and appear from July through to August. Often growing on Stony/ rocky grounds.



Grey Whorled Wattle- *acacia adoxa*

Acacia adoxa is a spreading shrub up to 1.2 m high with yellow flower appearing August- September. It occurs around red sandy soils, sandstone, stony plains & ridges.

Edible grubs occur in the rootstock. Seeds are harvested by ants.



Salt Wattle- *acacia ampliceps*

Shrub or small tree 2-8 m high with a spreading canopy. Flowers are White or cream appearing between May and August. Can be found on sandy or loamy alluvial soils with an alkaline reaction and is highly tolerant to salinity.



Arid Wattle- *acacia arida*

Arid Wattle is an erect shrub to growing to 3 m high branching from base. The bark is smooth and grey or grey-brown with rod like yellow flowers appearing from Mar through to late July-August





Cape Honeysuckle- *tecoma capensis*

An erect, scrambling shrub, it grows to 2–3 m in height and a similar width. Normally evergreen it may lose its leaves in colder climates. In certain habitats it may scramble, meaning that it shoots out long growth tips which lean on the stems and branches of other plants, as well as boulders, trellises, fences and walls; this can lead to the plant appearing untidy. The flowers are tubular, narrow, about 7.5 cm long, and are produced at different times throughout the year. The flower colour ranges from orange to orange-red to apricot.



Hamilton Road. South Hedland

Atkins Wattle- *acacia atkinsiana*

Open, spreading, rounded shrub that grows to 4 m high. Flowers are yellow and appear Dec or Jan to Mar or May to Jul. Rocky loam. Stony grounds, plains, ironstone hills.



Two Nerved Wattle- *acacia bivenosa*

Widespread in the Arid Zones of Western Australia it grows in a variety of soils, including coastal sand, and on rocky hillsides and gullies, in shrubland, open shrubland and open woodland, and is often associated with spinifex.





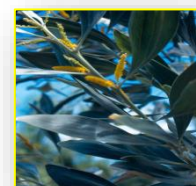
Coles Wattle-acacia colei

Coles Wattle is a native perennial bush or tree. It grows to a height of up to 9 m. and blooms from June through July and the flowers are bright yellow. Grows in a variety of soil types; frequently forms dense stands along dry, stony or sandy drainage lines. It is a component of many semi-arid, subtropical plant communities, especially the Acacia - dominated scrubs and tall open shrublands of north-western Australia.



Wathmallu-acacia cowleana

Acacia cowleana is a shrub to small tree up to 8 metres high. The bright yellow flowers occur in elongated spikes up to 300 mm long and occur during winter and spring. The flowers are followed by slender, straight seed pods about 75 mm long. Usually grows in arid and semi-arid areas on sandplains and along creek lines.



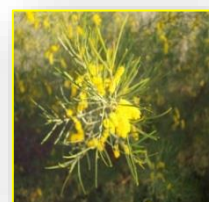
Red Mulga -acacia cyperophylla

Red mulga is a tree that grows to a height of about 7 mtrs and is endemic to Western Australia where it grows on the banks of rivers and creeks on the semi-arid plains. It is most readily identified by its distinctive bark which constantly peels off in small curling flakes making it look like the tree has a coat of curly hair.



Maiden Wattle-acacia ancistrocarpa

Multi stemmed, resinous shrub that grows 1–4 m high and up to 4 m diam. Bark is smooth on upper trunk and grey to bluish on the trunk. Spikes of golden flowers 2.5–4.5 cm long.



Marquee Park South Hedland



Waxy Wattle-acacia dictyophleba

Widespread in arid zones where it extends from the Pilbara region in W.A. eastwards through southern N.T. and north-eastern S.A. to south-west Qld. It is particularly common in the region of the Simpson Desert. Grows mainly in deep red or red-brown siliceous sand, on dunes or interdunal areas; sometimes found on shallow stony soils.



Woodstock Wattle- acacia levata

Spreading, multi-stemmed shrub growing up to 1-3 m high, to 5 m wide. Flowers are yellow and usually appear around May-June. Prefers sand or sandy loam over granite and grows well on hillslopes. Grows alongside *Acacia hilliana* and *A. stellaticeps* and spinifex.



Maitlands Wattle- acacia maitlandi

Maitland's Wattle, is a perennial tree native to Australia. It has an open and spindly habit, with a height between 0.7 - 3.0 metres. Flowers are yellow and occur sometime between May and October. The favoured soil type is red sand, or stony ground, the habitat is sandy or stony plains, and on hills. The species is used to make boomerangs and spear throwers, the gum produced is edible



Ranji Bush-acacia pyrifolia

Obconic (inverted cone shaped), rigid, erect shrub, to 4.5 m high, bark smooth grey on main stems, upper branches yellow; flower heads globular. Flowers are yellow and occur Jul or Aug. Alluvial sand, coarse red-brown sand, pebbly sand, brown loamy clay, skeletal soil, sandstone. Undulating plains, along rivers and creeks, in creek beds.





Limestone Wattle- *acacia sclerosperma*

Commonly known as limestone wattle or silver bark wattle it is endemic to Western Australia, it occurs on floodplains and along water-courses throughout the arid north-west corner of the State. Limestone wattle grows as a spreading, tall shrub up to four metres high and six metres wide. Like most Acacia species, it has phyllodes rather than true leaves. These are bright green, oval in cross-section, and may be up to seven centimetres long. The flowers are yellow, and held in cylindrical clusters about five millimetres in diameter.



Curry Wattle- *acacia spondylophylla*

Spreading shrub to 2 m high. Pods linear, curved, 20–40 mm long, 6–8 mm wide, with nerve-like margins, Occurs commonly in the Pilbara region and at scattered localities E to the Rawlinson Ra., W.A., in the Macdonnell and Musgrave Ranges, N.T. and E to Dajarra, Qld. Grows in shallow, sandy or rocky soil.



Northern Star Wattle- *acacia stellaticeps*

Occurs in W.A. from the north-west coast between Exmouth Gulf and Broome E across parts of the Great Sandy Desert to the Sturt Creek area and into N.T. in the Tanami area; recorded between 1800'S and 2330'S. Grows in red, sometimes clayey sand over quartzite, limestone, laterite or ironstone, on hills or sandplains, often on flats between parallel sand dunes, in open savannah, scrub heath, grassland or shrubland, often with spinifex. Flowers Feb.–Sept.



Preferred Planting Guide



Town of
Port Hedland

Pilbara Minni Ritchi-acacia trachycarpa

An arid to tropical Australian tree ideal for planting in frost free regions. Cold damage or death can occur at temperatures below 25 degrees F. The trunk has a curling, 'minni ritchi' bark texture with a pine scent very unique and interesting for an arid type tree. The leaf, made up of soft, pine needle-like, narrow phyllodes 1/2 to 2 inches long that are very graceful in the breeze. In bloom, during the spring, a yellow, rod shaped flower brightens up the landscape.



Poverty Bush-acacia translucens

A low, spreading shrub, varying in height from 50 cm to 2 m. The thick phyllodes are obliquely elliptical or obovate and up to 2.5 cm long. The bright yellow ball flowers are borne on stalks to 2 cm long. A hardy plant for tropical areas when used in a sunny well-drained site.



Wanyu-acaia wanyu

Bushy shrub or tree that grows 1.5-5 m high. Flowers are yellow and appear from March to July. Often in stony clay or loam, red sand. Along creek lines & drainage lines, sand plains.





Paper Flower-*bougainvillea glabra*

Named in honour of the explorer and scientist, Louis Antoine de Bougainville. Known for their brilliant floral displays and ground-covering power, bougainvilleas originate from the tropics and subtropics of South America these scrambling shrubs that can become vigorous climbers in favourable conditions resembling the climate of their native habitat. While the thin-textured, downy, tapering leaves and small, tubular, ivory to yellow flowers play a role in the overall attractive appearance of these plants, it is the brilliantly coloured petal-like bracts that create its dramatic impact. All species do well in warm to hot climates and some species will tolerate light frosts. For best results, plant bougainvilleas in a light well-drained soil in a sunny position. Although drought tolerant, they need plenty of moisture during the flowering season.



Caper Bush-*capparis spinosa*

The caper bush requires a semiarid or arid climate. A rainy spring and a hot dry summer are considered advantageous. This drought-tolerant perennial plant has favourable influence on the environment and it is used for landscaping and reducing erosion along highways, steep rocky slopes, sand dunes or fragile semiarid ecosystems.



Dumara Bush- *cynanchum floribundum*

A herb with erect branches, twining or bent in opposite directions, up to 1 m. Leaves: opposite, long-petioled, heart-shaped, tapered at both ends, 2,5-5 cm. The wheel-like corolla is deeply 5-lobed, and the corona has twenty lobes. Flowers: white, spike-like on separate petioles. Fruit: dry, cigar-shaped, more or less winged, 2,5-5 cm long.





Spotted Emu Bush-*eremophila maculate*

Eremophila maculata is probably the most common species both in the wild and in cultivation. It is usually a shrub to about 1 metre in height but occasionally grows taller. Flowers occur in the leaf axils and are tubular in shape to about 25 mm long. Flower colour is variable and may be pink, mauve, red, orange or yellow, often with a pale, spotted throat. Flowering occurs mainly through winter and spring but some flowers may also be seen at other times. Widely cultivated in many areas and, although best suited to dry climates, can be successfully grown in more humid areas. Full sun is preferred and, once established, the plant tolerates extended dry periods. It is also tolerant of at least



Turpentine Bush-*eremophila fraseri*

Shrub, 0.5-3 m high. Flowers range from white-cream-pink-red-purple-brown, Mar to Nov. Sandy or stony soils, alluvium. Colluvial & riverine flats, rocky hills. *Eremophila fraseri* is used as a topical medicine, the liquid derived from a preparation of the leaves is used for skin complaints.



Desert Fuchsia- *eremophila macdonnelli*

A small spreading shrub that has leaves that are small and thick and covered in short hairs. It has solitary pink to purple flowers produced on long stalks in winter, spring and summer.



Preferred Planting Guide



Town of
Port Hedland

Emu bush-eremophila compacta

A small compact shrub with grey/ green lance shaped foliage and a profusion of tubular yellow flowers. A versatile plant that offers foliage contrast in plantings. Grows in full sun to part shade in most well drained soils - including coastal



Silver Poverty Bush- eremophila pterocarpa

Shrub or tree that can get up to 4m tall. Flowers are red-pink-orange-yellow and flower from June to September. Tolerates a range of soils from Red sandy clay, clay, limestone. Clay depressions, salt or alkaline flats, salty patches.



Tar Bush- eremophila glabra

This is a striking Emu Bush that develops into a dense ground cover that will cover an area of at least a square metre. The leaves are soft and silver-grey. Tubular flowers are yellow and rich in nectar. Spring and summer are the main flowering periods but flowers will appear at other times. Spent flowers carpet the ground around plants. *Eremophila* Kalbarri Carpet is one of our favourite Emu Bushes. It has proved to be extremely drought and frost hardy.



Royal Mulla Mulla-ptilotus rotundifolius

A Shrub which grows from 0.4-2 m high. Flowers are pink-purple and can be up to 20cm long. Flowers between Jul to Oct. And grows in its natural habitat in stony soils preferring rocky hills & rises. Recently appointed as the floral emblem of the Pilbara





West Pilbara Grevillea-*grevillea pyramidalis*

Caustic Bush, Blister Bush, West Pilbara Grevillea is a small tree to 10m. Blue-green leaves and bright yellow/white flower clusters. The greenish inner bark was mashed in water until it turned white, and then rubbed around women's breasts to induce lactation.



Ixora species-*ixora coccinea*

A fairly small, bushy shrub, usually only 5-10ft tall. There are dwarf varieties that are much smaller. Ixora will flower when only a few inches high. It is commonly used a hedge or small garden plant. Ixora is too tender to grow outside of the tropics and subtropics. It prefers a warm, humid climate



Tall Mulla Mulla- *ptilotus exaltatus*

An annual herb growing in height from 0.1-1.2m high. Its flowers form a cone of pink or purple with many cones or heads on one plant, making this a showy species, especially when many are found growing together over large areas. It flowers between April and October. It is a member of the Amaranthaceae family and is found over most of Western Australia, except in the south-west corner and along the south coast. This distinct herb appears to favour clay and loamy soils, but is also found on coastal areas.



Thick Leaf Fan Flower- *scaevola crassifolia*

Scaevola crassifolia with its large, almost succulent leaves (crassifolia = thick leaves grows up to 1.5 metres wide and 3 metres wide and produces white, blue or pale purple flowers from July to February in its native range. It prefers limestone or dune areas and coastal distribution ranges from beyond Karratha in the north all along the western coast and beyond Esperance.



Preferred Planting Guide



Town of
Port Hedland



Bird of Paradise-strelitzia reginae

A clump forming plant which produces large and dramatic evergreen, banana like leaves and long, straight flower stems culminating with a boat like bract at the top. Several orange and blue spiky flowers arise from these bracts and give an appearance resembling exotic birds. Flowers are borne through the warmer months of spring and summer. The blooms are fantastic for use in floral arrangements because of their unique and magnificent flower display. The plant grows to a height of 1.8 metres and over 1 metre in width.



Cockies Tongue-templetonia retusa

This lovely shrub is very hardy and well worth a place in a shrubbery. It can grow to 2m high and 3 m wide although I have never seen this size in garden conditions. It can be pruned and this will keep it to a reasonable size. There are large, red pea shaped flowers very attractive to birds and butterflies, during winter and spring. This is a hardy plant suitable for front line coast and inland situations. It is moderately frost tolerant and requires good drainage.



Grey Germander-teucrium racemosum

Commonly known as 'Grey Germander'. It is a small grey-leaved shrubs with white flowers that appear during spring to summer. A perennial herbaceous plant it can be found growing in many parts of Australia, along creeks, muddy depression, grassy wetlands and woodland. In central Australia, they grow in or near claypans.



Preferred Planting Guide



Town of
Port Hedland

Inland Tea-tree- *melaleuca-glomerata*

Fast growing screening plant 2-5m tall with whitish paper bark and grey green leaves and cream to white honey scented flowers. Tolerates shade and salt and is a good screening plant and long lived.



Regal Bird Flower- *crotalaria cunninghamii*

This small shrub of about 1 metre has stout woolly branches and rounded dull green leaves. Its green flowers resemble a bird attached by its beak to the central stalk of the flower head. Flowering occurs from winter to spring, and sometimes in autumn. The fruit is a club-shaped pod, about 4-5cm long, which is swollen, hard and velvety. This plant is moderately common, occurring on unstable sand dunes in mulga communities.





Grasses and Groundcovers:

Fire Cracker Plant- *russelia equisetiformis*

A multi-branched subshrub with slender, rush like stems that are angled with ridges and leaves that are reduced to little more than small scales. The wiry branches start out erect then fall over to cascade down in lengths as long as 1.2 m. Produces hanging clusters of scarlet tubular flowers about 2.5 cm long that look like little firecrackers inspiring the plant's common name, firecracker plant.



Red Fountain Grass- *pennisetum setaceum (rubrum)*

This tropical annual produces mounds of narrow burgundy-red foliage and purple plumes to 1 foot long. It is invaluable for containers and stunning, annual foliage color in a border. It rarely sets seed. Grow in light, average, well-drained soil in full sun. Cut back previous year's foliage by early spring.

Medians- Anderson St- Port Hedland



Feathertop Threeawn- *aristida inaequiglumis*

Feathertop Threeawn is a leafy erect long lived perennial grass that can grow to 60-90 cm tall, forming dense tussocks. The leaves are long and flat but tend to curl or twist with age.





Curly Mitchell Grass- *astreba lappacea*

Tussocky perennial grasses growing to 1 m tall. Native of heavy clay soils of the downs in the arid zone of much of northern and central Australia. Extremely drought -tolerant due to their robust root system.



Variable Daisy-*brachyscombe ciliraris*

Geographically speaking, it is very widely distributed, occurring in every Australian state. It is somewhat restricted in terms of habitat, however, favouring red earths and grey sands over limestone or clay, in disturbed areas and on the margins of salt pans.



Pilbara Daisy- *brachyscombe iberidifolia*

Widespread, found on sands or clay, and tolerant of salinity. It favours watercourses and depressions near granite, but is widespread on sandhills and other harsh coastal environ. North to the Pilbara region, extending into Murchison, Gascoyne, Coolgardie regions, and recorded in the Gibson Desert.



Lemon Scent Grasses- *cynbopogon species*

Alternately called scented grass or Australian lemon-scented grass (*Cymbopogon ambiguus*), Australian lemon grass grows throughout most of Australia, with the exception of the cooler areas. Like the other lemon grass plants, this plant emits a lemon-like citrus odor when cut or crushed, and is adaptable to different soil types. Australian lemon grass is often used in landscaping as ground cover or in places where watering is difficult. The plant grows to about 3 feet in height, and is drought- and frost-resistant.





Namana- *euphorbia australis*

Prostrate annual or perennial herb that grows to 0.02-0.1 m high. A native West Australian plant that has red-pink flowers form around April to November. Will grow in a variety of soils.



Gin Gin Gem- *grevillia obtusifolia*

Rapid growing and hardy dense ground cover with a 3m spread. Has bright green foliage with small pinkish spider flowers in winter and spring. Likes good drainage and full sun to part shade.



Sea Spray- *grevillia thelemanniana*

A fast growing, spreading ground covering shrub that grows to approx. 1 m high and 3m across. Has small red flowers during winter and spring. Grows in full sun or part shade and grows in a variety of soil types and tolerates coastal soils.



Native Sweet Potato- *ipomoea costata*

Commonly known as Rock Morning Glory, is an Australian native plant. It is found in northern Australia, from Western Australia, through the Northern Territory, to Queensland. It is the source of bush potato, a bush tucker food for Aborigines. Bush potatoes are cooked in the hot earth beside the fire, and potato is still eaten in the desert today. It is a fast-growing creeper with large purplish-pink trumpet flowers.



Preferred Planting Guide



Town of
Port Hedland



Beach Morning Glory- *ipomoea brasiliensis*

Goat's Foot is a primary sand stabilizer being one of the first plants to colonise the dune. It grows on almost all parts of the dune but is usually found on the seaward slopes sending long runners down towards the toe of the dune. The sprawling runners spread out from the woody rootstock but the large two-lobed leaves are sparse and a dense cover on the sand is rarely achieved except in protected situations. This plant grows in association with sand spinifex grass and is a useful sand binder thriving under conditions of sand blast and salt spray.



Native Morning Glory- *ipomoea muelleri*

Sprawling perennial ground cover up to 3 m wide, with twining stems. Heart shaped dark green leaves are up to 4 cm long and 2 to 3 cm wide. Lilac or pink flowers have a darker throat and are shaped like a funnel or trumpet. Flowers are up to 4 cm long and 5 cm in diameter.



Civic Centre Front Gardens

Creeping Boobiella- *myoporum parvifolium*

This is a ground-cover plant with fleshy green leaves and white flowers in summer, both frost and drought tolerant. This plant has trailing stems to about 1m or more and the leaves are green or grey in colour. Its flowers are white and are borne in summer. Grows to about 1m in height and the width is unlimited. The plant can be effectively hedged and formally shaped.



Sturts Desert Pea- *swainsona formosa*

Is famous for its distinctive blood-red leaf-like flowers, each with a bulbous black centre, or "boss". It is one of Australia's best known wildflowers. It is native to the arid regions of central and north-western Australia, and its range extends into all mainland Australian states with the exception of Victoria.



Entrance Statement Broome Highway



Dampier Pea- *swainsona pterostylis*

Small semi-prostrate shrub. The leaves are compound. The beautiful flowers are violet, with a sweet fragrance. The whole plant was mashed up and a boiled poultice was made to treat bruising and inflammation. A native to hot semi-arid areas of northern Western Australia and NW Northern Territory. Full sun.



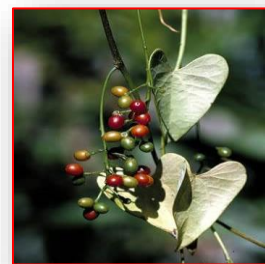
Kangaroo Grass- *themeda triandra*

This attractive grass can be used as an ornamental in rockeries, as part of a native habitat garden or can be grown in a more formal garden for its interesting colour and texture. It grows in full sun to part shade on sandy to clay soils and needs little water once established. Because of its large distribution, growing conditions for *T. triandra* can be quite variable so it is best to source seeds or nursery stock native to your local area.



SnakeVine- *tinospora smilaciana*

Communities in Central Australia used to crush sections of the vine to treat headaches, rheumatoid arthritis and other inflammatory-related ailments. The sap and leaves were sometimes used to treat sores and wounds. The leaves are triangular to arrow-shaped, up to 10 x 6 cm. 5 prominent veins arise from the base. Flowers unisexual, males are greenish, females have white sepals; fruits are ovoid, red berries to 10 x 9 mm.





Spinifex- triodia sp

Spinifex thrives on the poorest, most arid soils Australia has to offer. It is Spinifex that has prevented our deserts from becoming a Sahara-like world of bare, shifting sand.

Spinifex roots go down a long way: approximately 3 metres. Generally the roots develop from the same nodes as the shoots so that each shoot has its own personal water supply. The spiky leaves contain a lot of silica which makes them stiff and rigid.

Spinifex is tough and indigestible to most animals except termites. These tiny grazers thrive on the Spinifex litter. A grass that's very poor in nitrogen and phosphorus poses no problems for them. Desert Aboriginal people collect certain species of Spinifex and bash it with a stick on a clean surface to begin the extraction of resin which occurs at the base of the stems. The chaff is heated with a fire stick causing the resin to melt. It is then rolled into a ball and used as an adhesive, mainly for attaching stone cutting chips to wooden implements such as spears.



Needle Grass- triraphis mollis

A tufted perennial grass-like herb. Grows 0.3-0.45 m high. Flowers are purple-green from May to Sep. Red sand, loam, clay, sandstone. Coastal sand dunes, creek floodouts.





Turf

Winter Green

Although the Wintergreen variety is more commonly utilised within commercial applications due to its hard wearing characteristics, it is also suitable to many domestic applications, especially in tougher environmental conditions. The Wintergreen lawn is ideal for high wearing areas such as golf courses, tennis courts, bowling greens, parks and gardens, sports ovals, soil stabilisation areas, roadsides, urban in-fill areas or where hard wearing or close mowing is required. With its low maintenance qualities it is also great for your rental property or home!



Preferred Planting Guide



Town of
Port Hedland

Zoysia

Zoysia is a genus of creeping grasses native to southeast and east Asia (north to China and Japan) and Australasia. These species, commonly called zoysia or zoysiagrass, are found in coastal areas or grasslands. The genus is named after the Austrian botanist Karl von Zois. Because they can tolerate wide variations in temperature, sunlight, and water, these grasses are among the most widely used for lawns in temperate climates. *Zoysia* grasses stop erosion on slopes, and are excellent at repelling weeds throughout the year. They resist disease and hold up well under traffic. 'Empire Zoysia' is particularly popular.

Asset Handover Process & Check List

Important Notes:

It is the **responsibility of the Project Manager** to complete this document.

The Asset Handover Checklist is intended to guide the handover of the asset to operations and the processing of asset information records related to their creation and future operations. It is important that records relating to each asset are available for future reference.

Send an electronic copy of this the completed form to : **Daniel Vo - dvanvo@porthedland.wa.gov.au**

Project Information	Details
Project Name:	
Project Value:	
Synergy File Ref & Folder	
Project Description:	
Project Management Representative:	
Asset Management Representative:	
Asset Custodian Representative:	
Contractor Representative	
Other Key Representatives:	

Project Dates	Date	Notes
Project Completion Date (Practical Completion):		
Defects Liability End Date:		
Date of Site Inspection / Handover Meeting with Project Manager, Asset Management, Operations, etc.		

Handover Element Deliverable	Yes	No	WIP	TRIM Ref	Comments
PRACTICAL COMPLETION	(soft and hard copies)				
Practical Completion Certificate					
Representative Responsible for Management of Defects During Defects Liability Period:					

COMMISSIONING & APPROVALS	(soft and hard copies)				
Copies of all Commissioning Certifications/Approvals					
Copies of all Commissioning Reports					
ORIGINAL ENGINEERING MANUAL	(soft and hard copies)				
Bill of Materials (Equipment inventory listing in hierarchy with quantities)					Hard copy location:
As Constructed Drawings (Final and Approved) (AutoCAD AND pdf)					
Major Asset Cost Breakdown					
A12 Warranties and guarantees					
Schedule of project subcontractors and/or supplier contact details					
Asset Design Lives					
Final Project Cost Report					
OPERATING & MAINTENANCE MANUAL	(soft and hard copies)				
Contractor/Supplier/Manufacture Recommended Maintenance Procedures for all assets					
Operational Manuals with procedures					
Maintenance schedules and procedures for maintainable assets					
Spare Parts Lists with Supplier/Manufacture Details					
Support Contacts with Supplier/Manufacture Details					
ASSET DATA	(soft copy)				
Asset Data with GIS Data (A Spec)					
TRAINING					
Relevant Staff Trained and Competency Achieved					
ASSET DECOMMISSIONING AND DISPOSAL					

List of Decommissioned Assets Issued to Asset Management for Update of Database					
ASSET REGISTRATION DETAILS					
All Asset Registration Form Details are Completed					
ASSET Risk Assessment					
ASSET Risk Assessment Documentation					
ASSET Handover Checklist	(soft copy)				
Copies of this Handover Checklist has been issued to all stakeholders.					Name of each stakeholder:
OTHER					
Security and access information					
FINAL HANDIVER INSPECTIONS					
Project Manager					
Asset Custodian					
Asset Mgmt. Reprerentative					