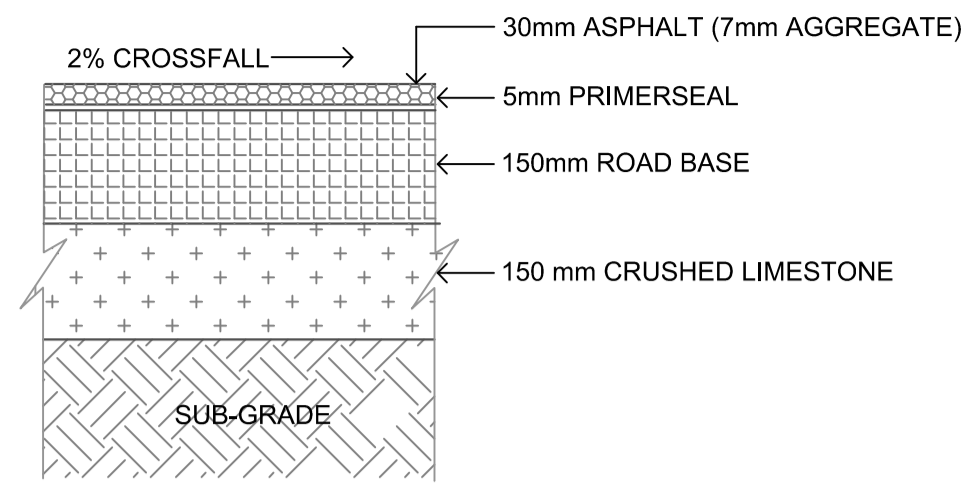
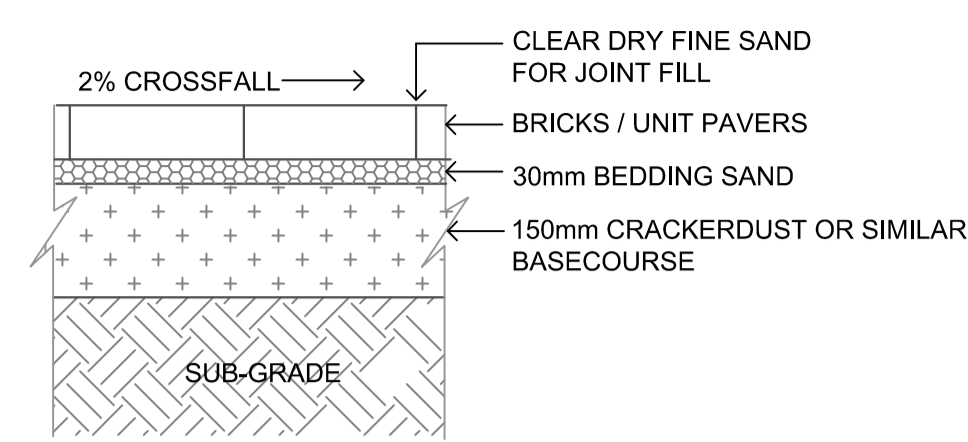


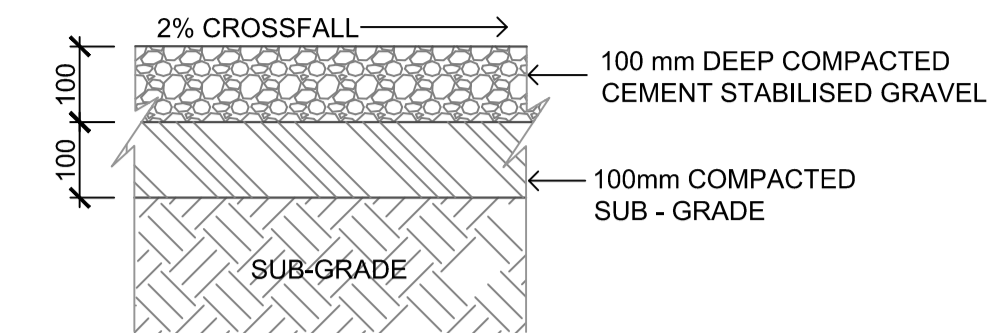
**01** CONCRETE HARDSTAND/DUAL USE PATHWAY SECTION Scale 1:10



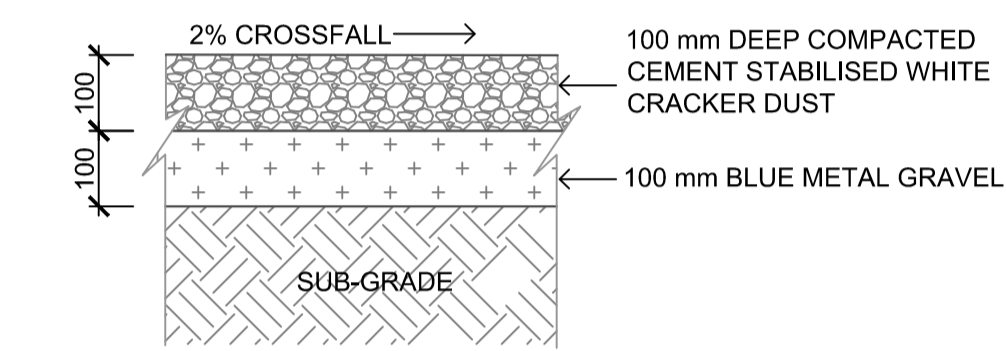
**02** ASPHALT SECTION Scale 1:10



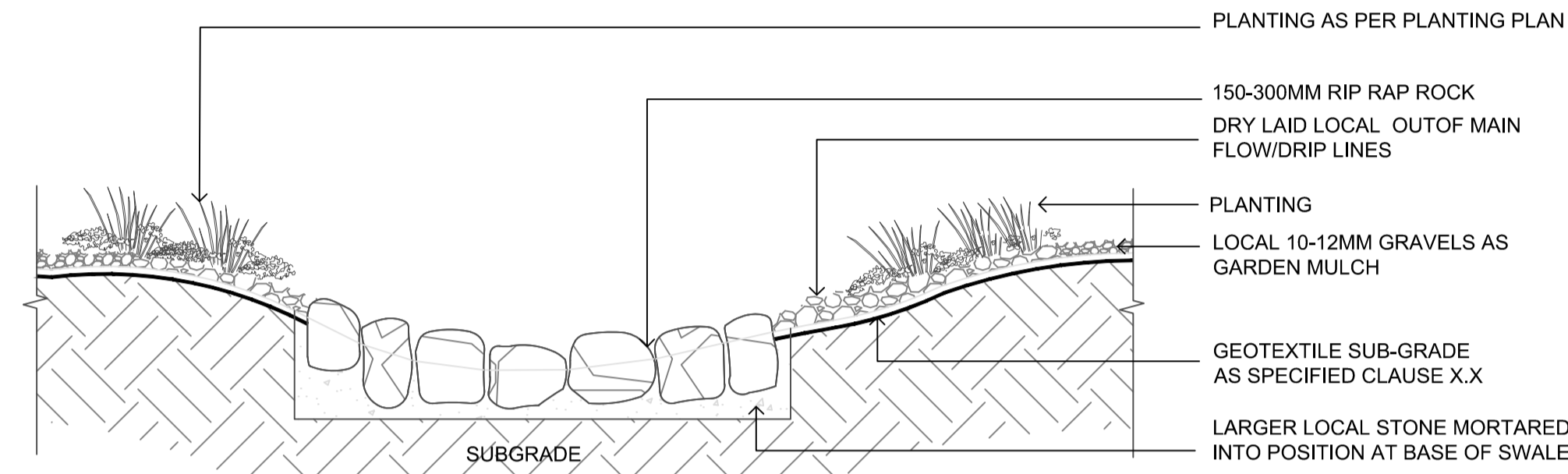
**03** BRICK / UNIT PAVING SECTION Scale 1:10



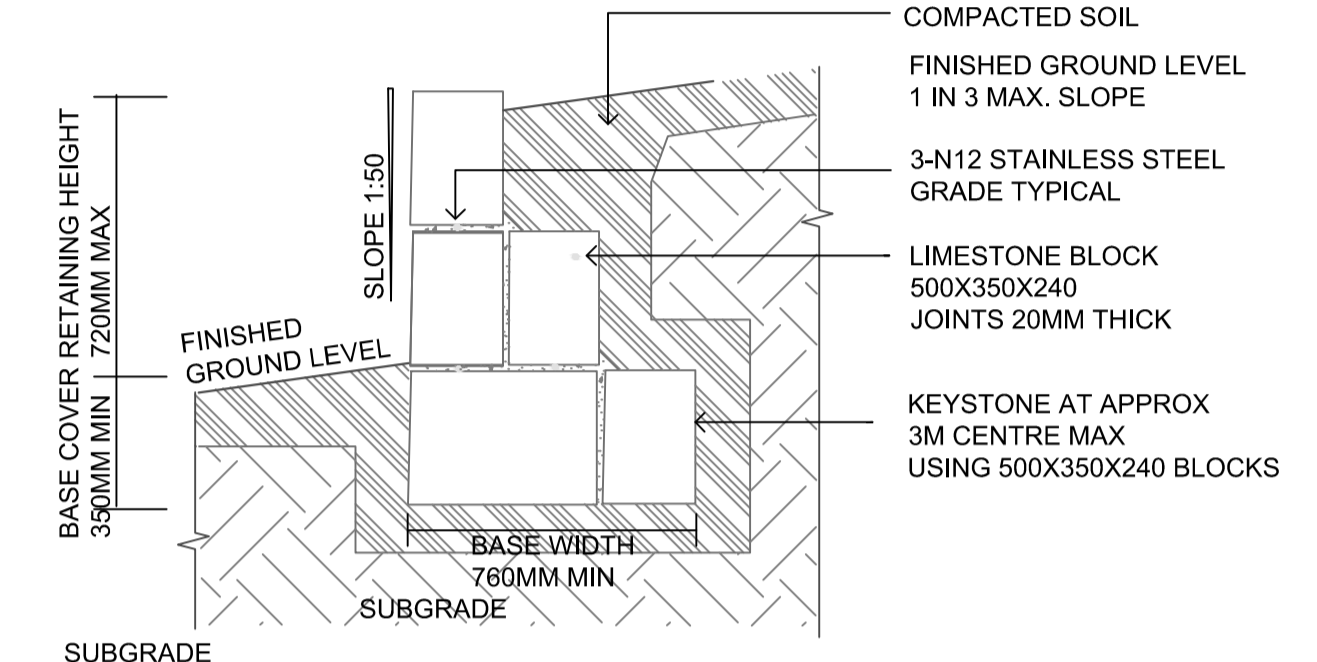
**04** COMPACTED CEMENT STABILISED GRAVEL SECTION Scale 1:10



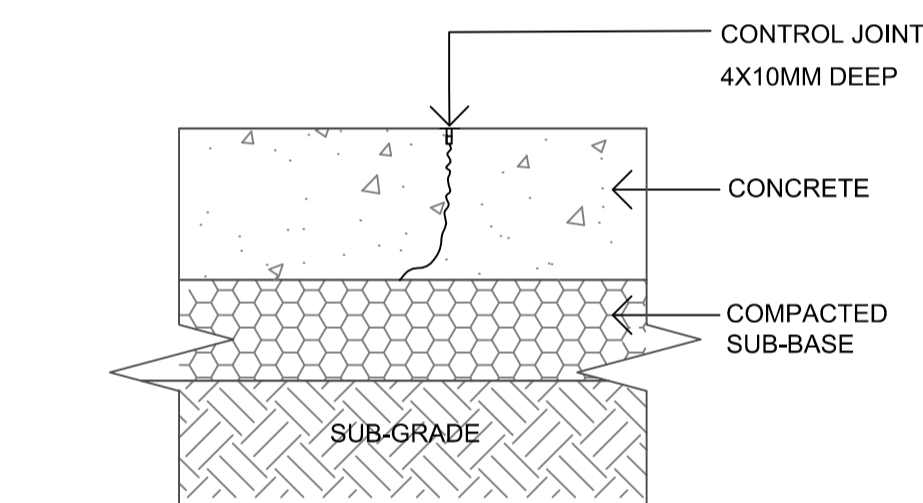
**05** COMPACTED CEMENT STABILISED CRACKER DUST SECTION Scale 1:10



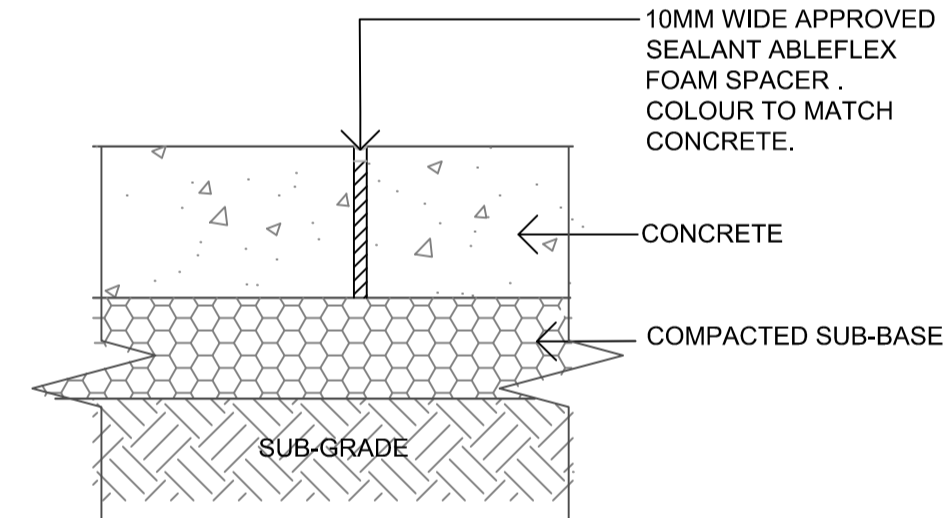
**06** TYPICAL PLANTED DRAINAGE SWALE Section Scale 1:20



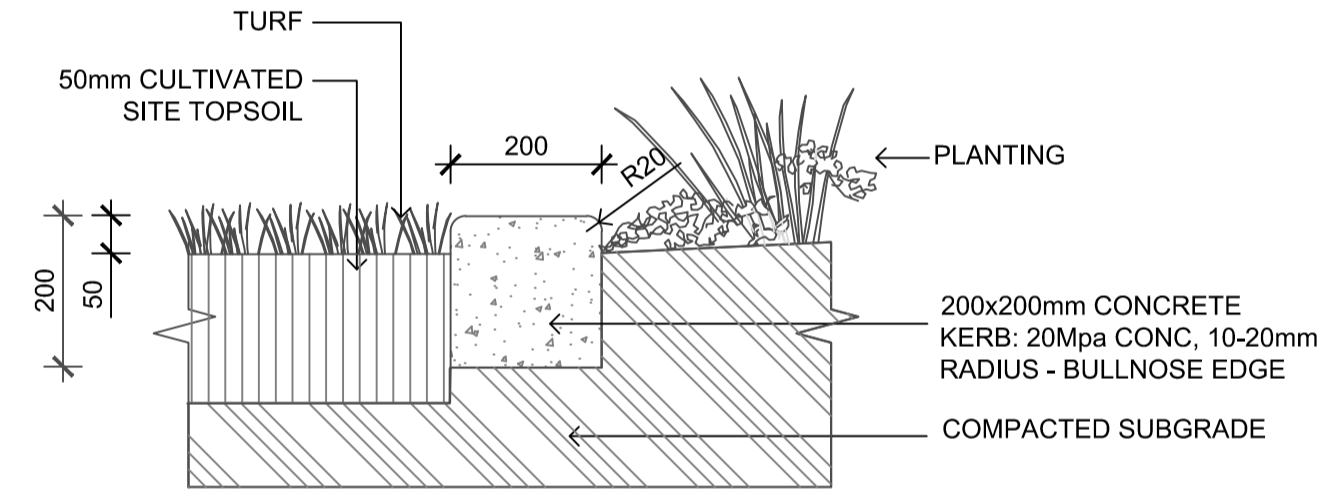
**07** TYPICAL RETAINING WALL Section Scale 1:20



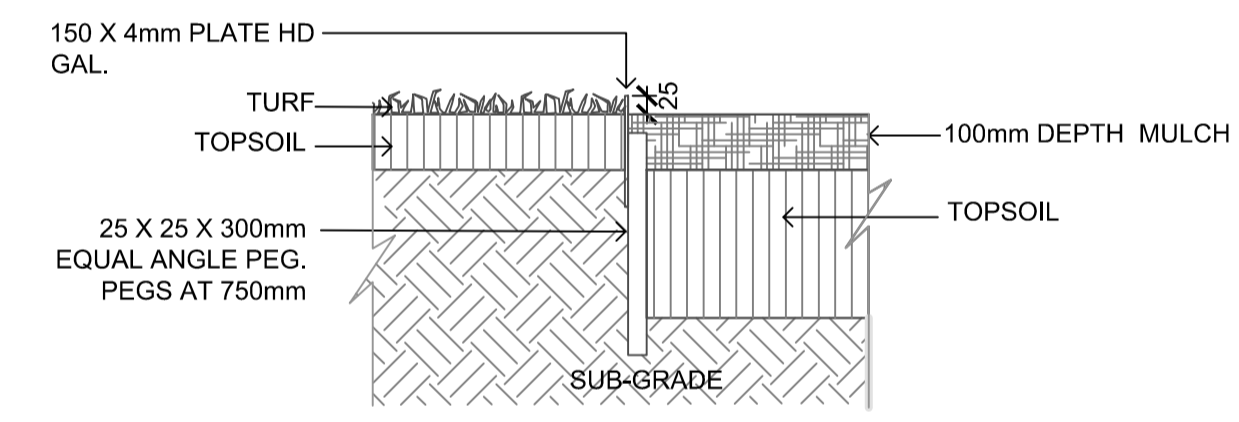
**08** TYPICAL CONTROL JOINT Section Scale 1:5



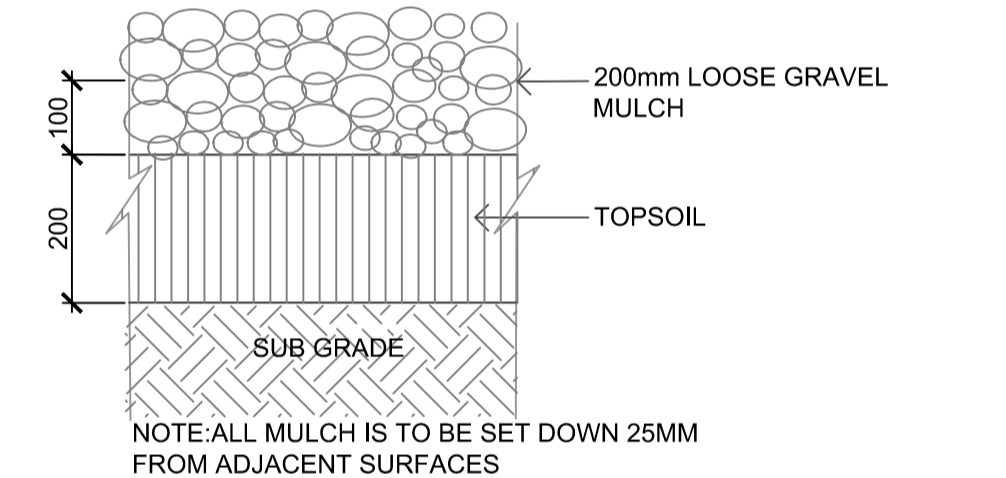
**09** TYPICAL EXPANSION JOINT Section Scale 1:5



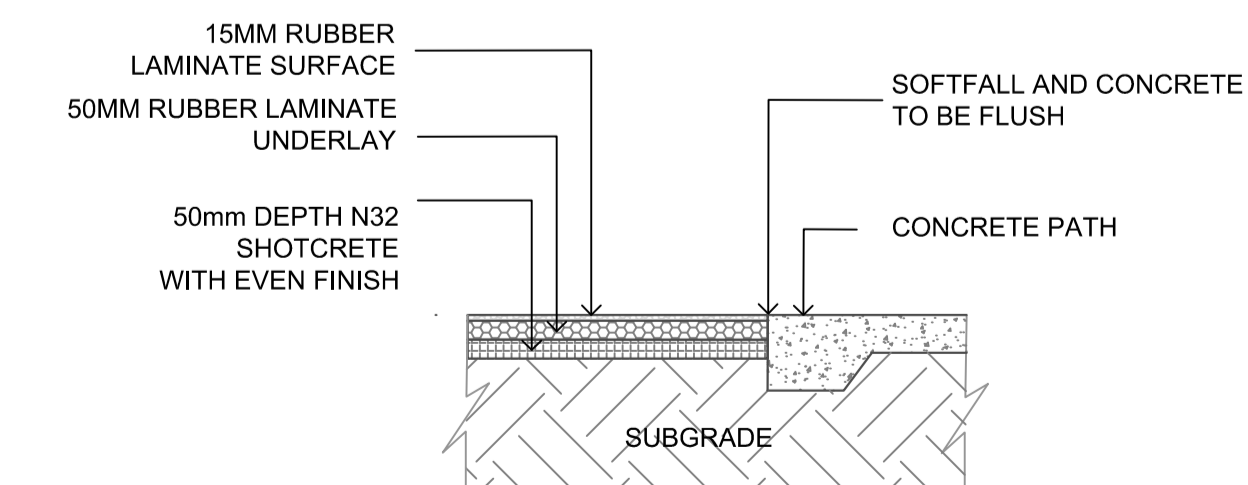
**10** TYPICAL CONCRETE EDGING Detail Scale 1:10



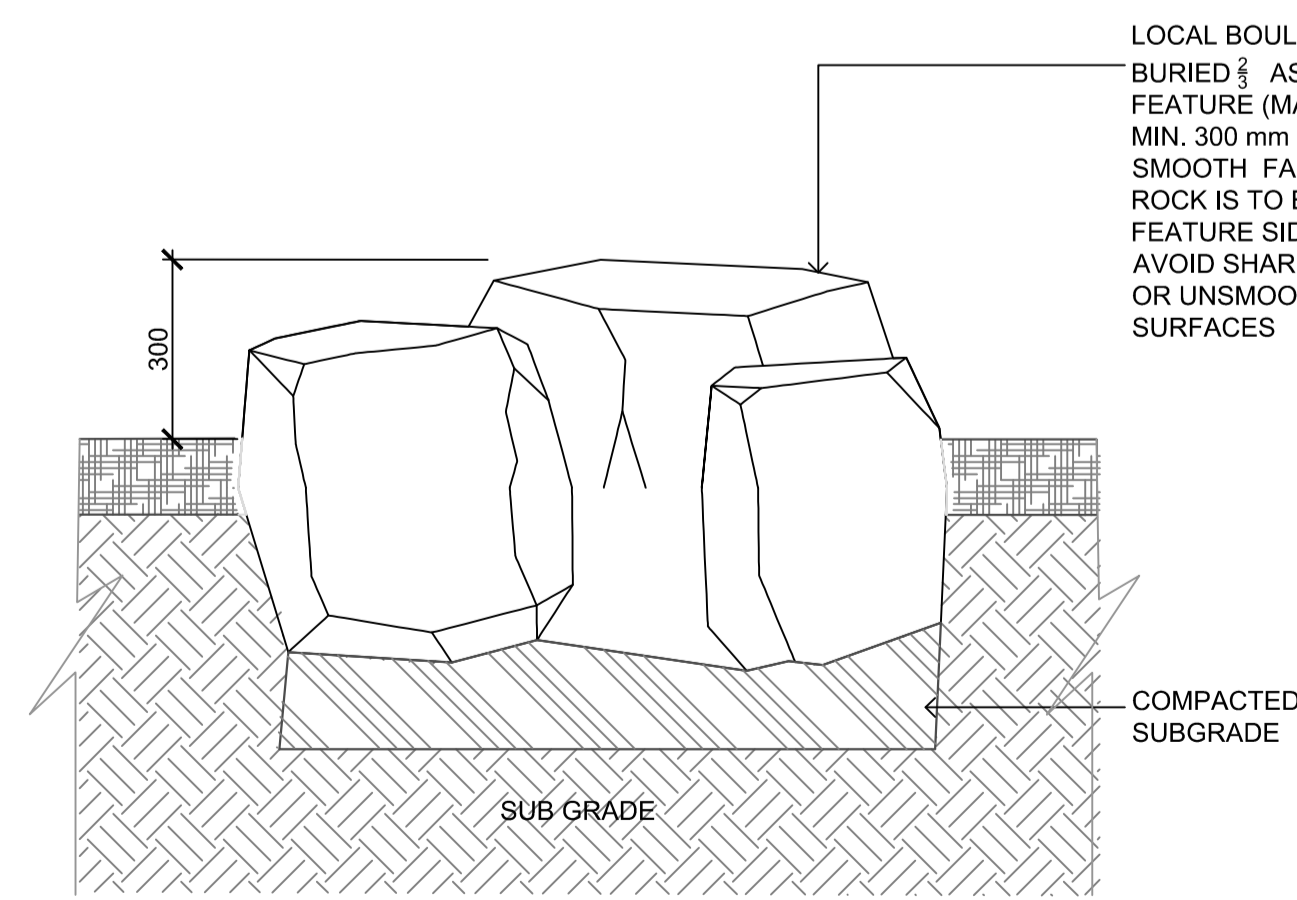
**11** TYPICAL STEEL EDGING SECTION Scale 1:10



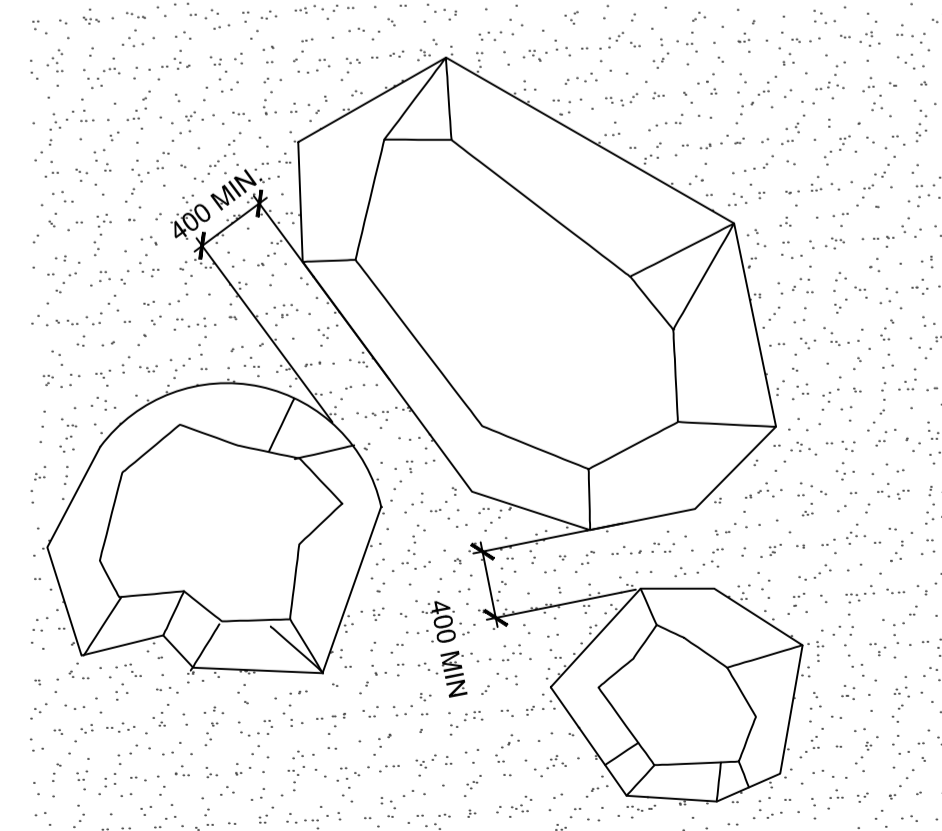
**12** LOOSE GRAVEL MULCH SECTION Scale 1:10



**13** TYPICAL SOFTFALL Section Scale 1:20



**14** TYPICAL BOULDER SEATING Section Scale 1:10



**15** TYPICAL BOULDER SEATING Section Scale 1:10

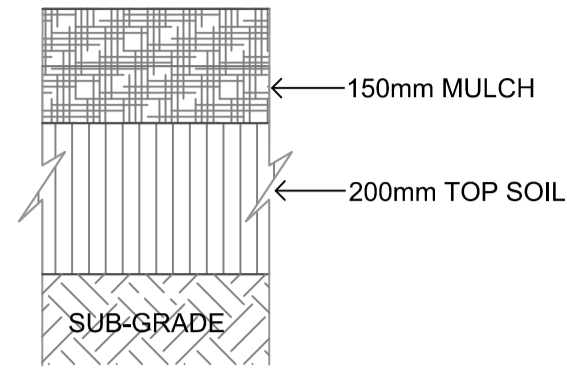
**16** SHELTER PLANS SECTIONS AND ELEVATIONS

SEE FOLLOWING PAGES

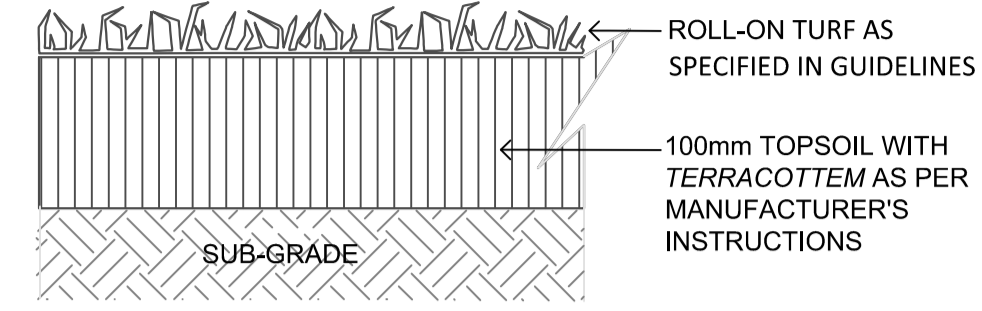
PORT HEDLAND LANDSCAPE GUIDELINES

HARDSCAPE ELEMENTS STANDARD DRAWING DETAILS

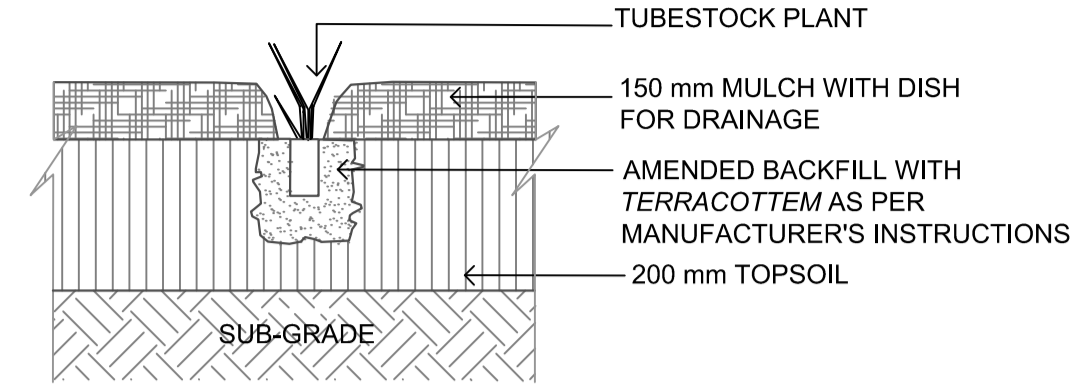
Drawings	Revision	
STD01 - STD15	REV B	
Date	Sheet	Scale
6th Feb 2018	1 of 2	varies @ A1



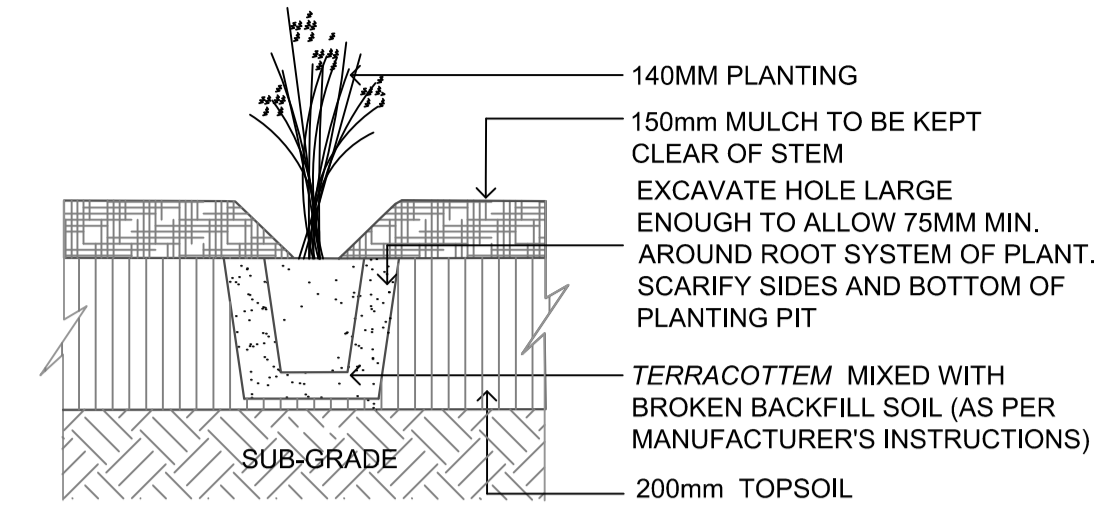
**17** MULCH AREAS  
Section Scale 1:10



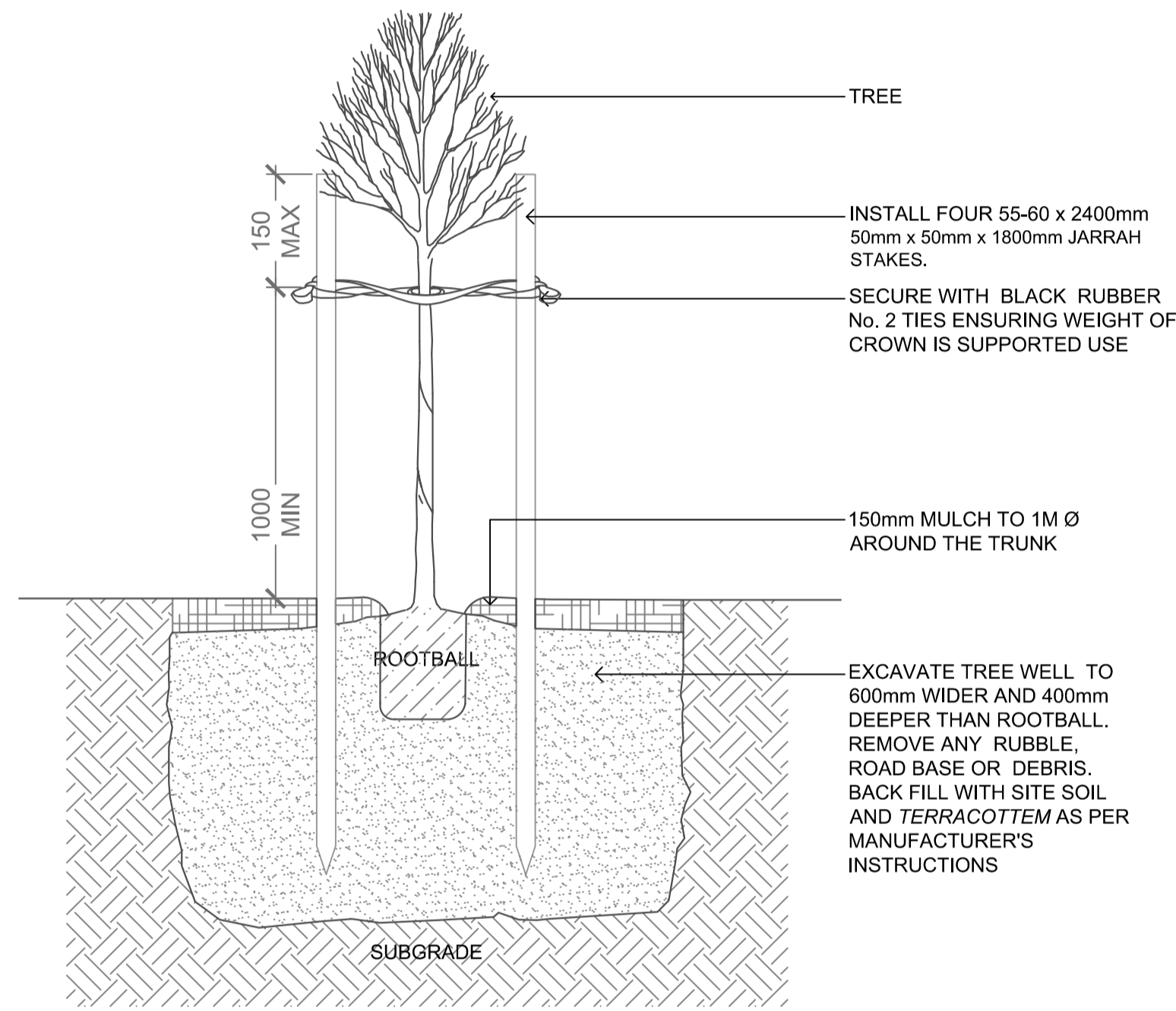
**18** ROLL-ON TURF AREAS  
Section Scale 1:10



**19** TUBESTOCK PLANTING  
Section Scale 1:10



**20** SHRUB PLANTING  
Section Scale 1:10



**21** TREE PLANTING  
Section Scale 1:20

PORT HEDLAND LANDSCAPE GUIDELINES

SOFTSCAPE ELEMENTS STANDARD DRAWING DETAILS

Drawings	Revision	
STD16 - STD20	REV B	
Date	Sheet	Scale
6th Feb 2018	2 of 2	varies @ A1